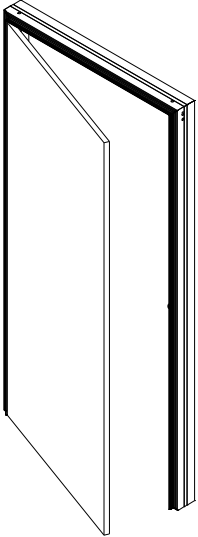


ASSEMBLY INSTRUCTIONS

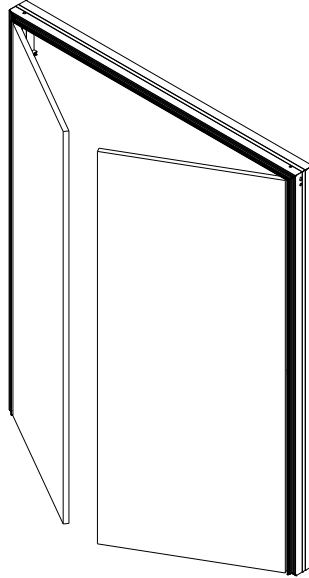
SINGLE PANEL

DOUBLE PANEL

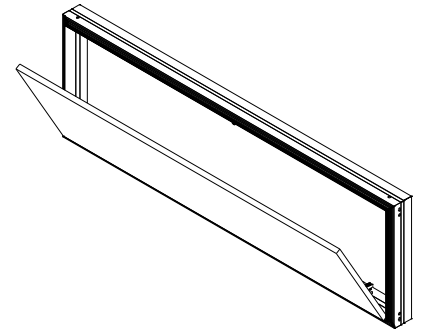
FLIP OPENING



3 SIDES VERSION



3 SIDES VERSION

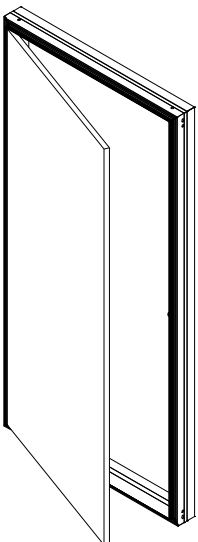


DOWNWARD

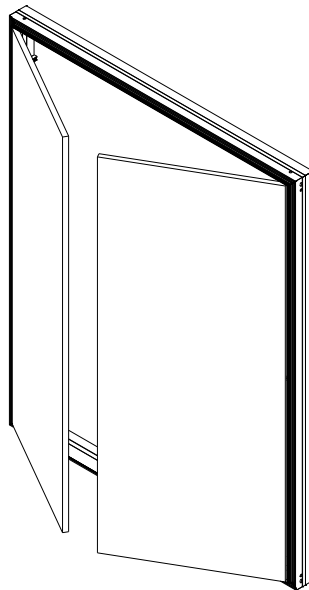
SINGLE PANEL

DOUBLE PANEL

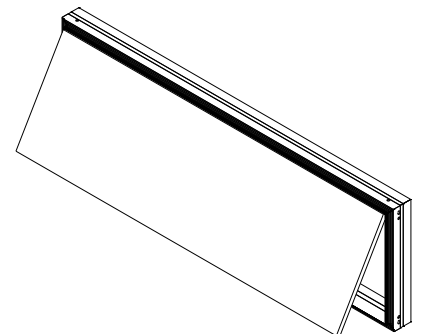
FLIP OPENING



4 SIDES VERSION



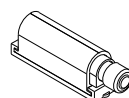
4 SIDES VERSION



UPWARD



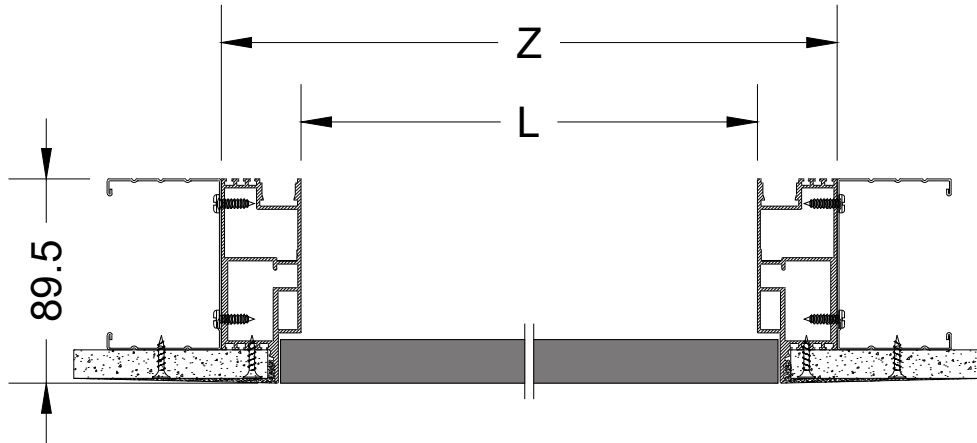
MASONRY ANCHOR
BRACKETS Pz.6



PUSH-PULL
OPENING SYSTEM

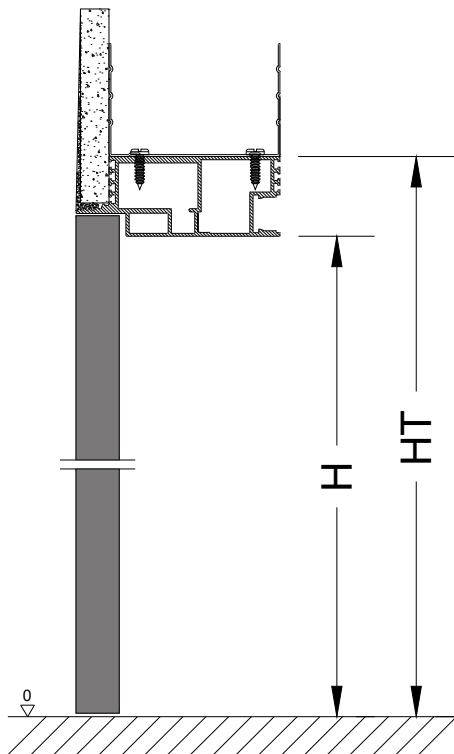
PREPARATION OF THE METALLIC STRUCTURE FOR PLASTERBOARD

ORIZZONTAL SECTION

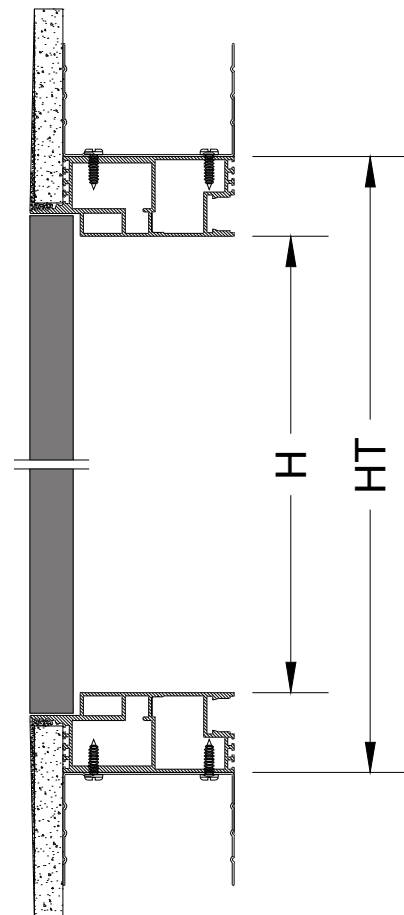


VERTICAL SECTION

3 SIDES VERSION



4 SIDES VERSION

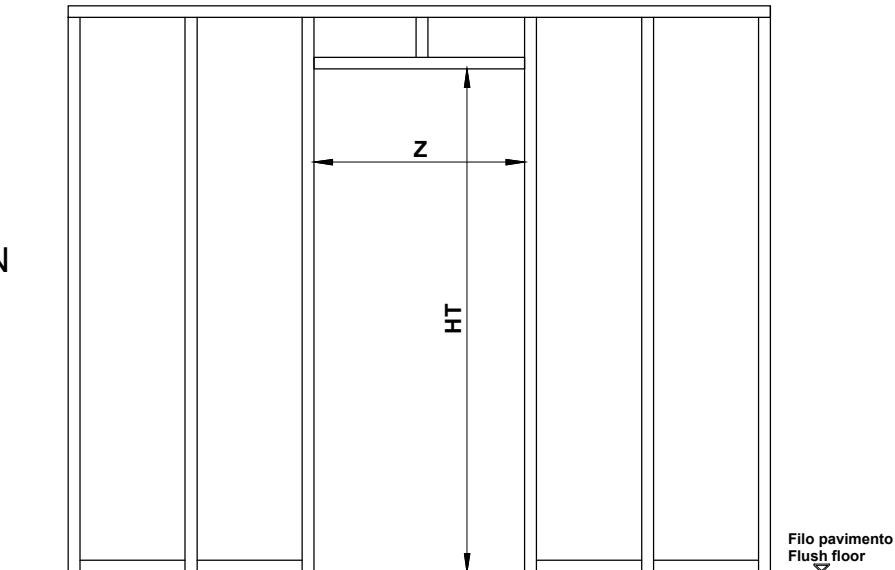


PREPARATION OF THE METALLIC STRUTCTURE FOR PLASTERBOARD

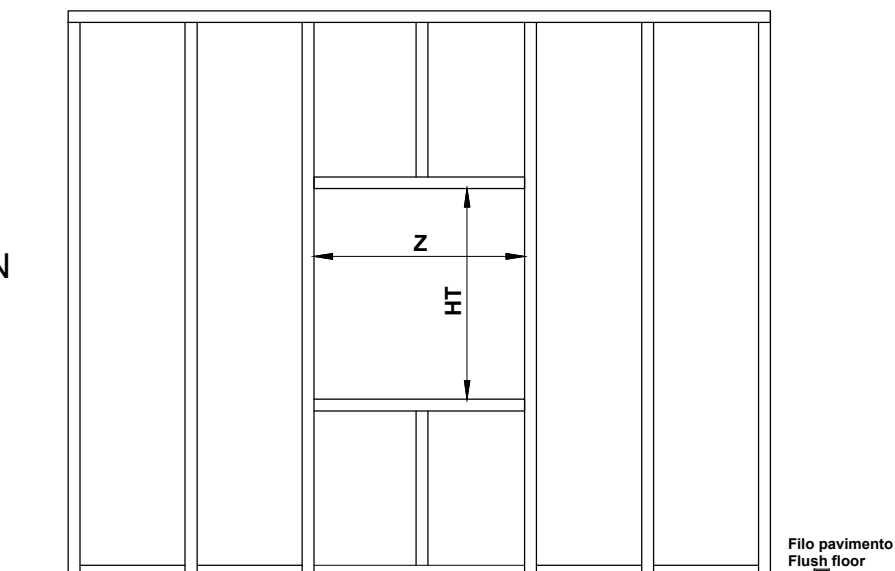
3 sides vers.	4 sides vers.
$Z = L + 70 \text{ mm}$	$Z = L + 70 \text{ mm}$
$HT = H + 35 \text{ mm}$	$HT = H + 70 \text{ mm}$

THE METAL FRAMEWORK FOR DRYWALL MUST BE PREPARED TO ACCOMODATE THE FRAME ACCORDING TO THE Z AND HT DIMENSIONS INDICATED IN THE TABLE.

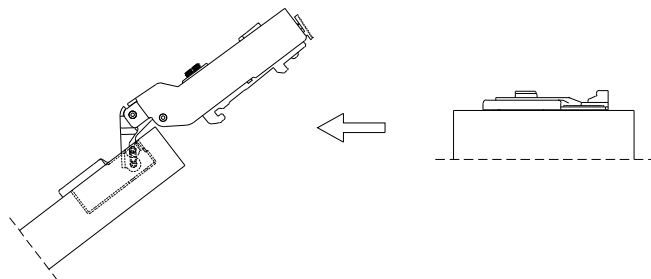
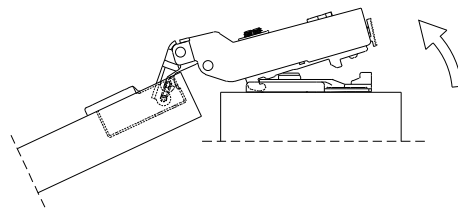
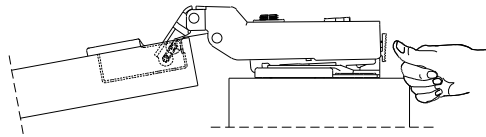
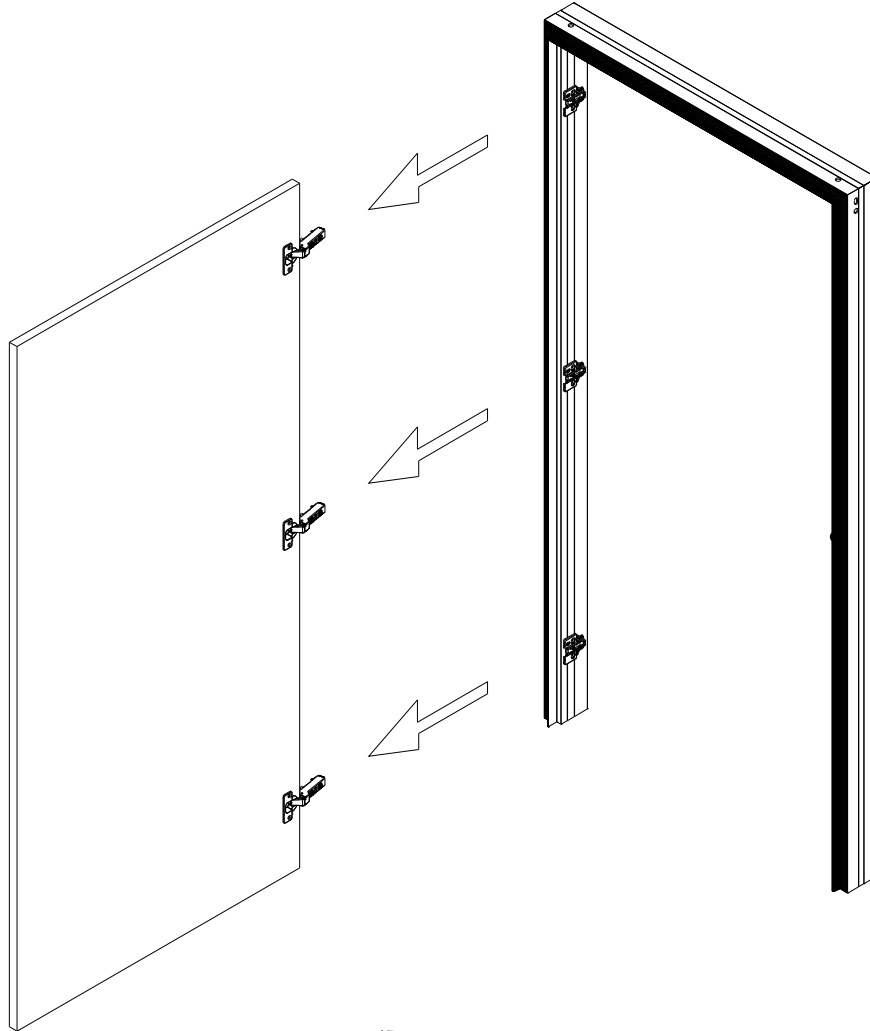
3 SIDES VERSION



4 SIDES VERSION



REMOVE THE HINGES FROM THE FRAME, LEAVING THE BASE PLATE FIXED.

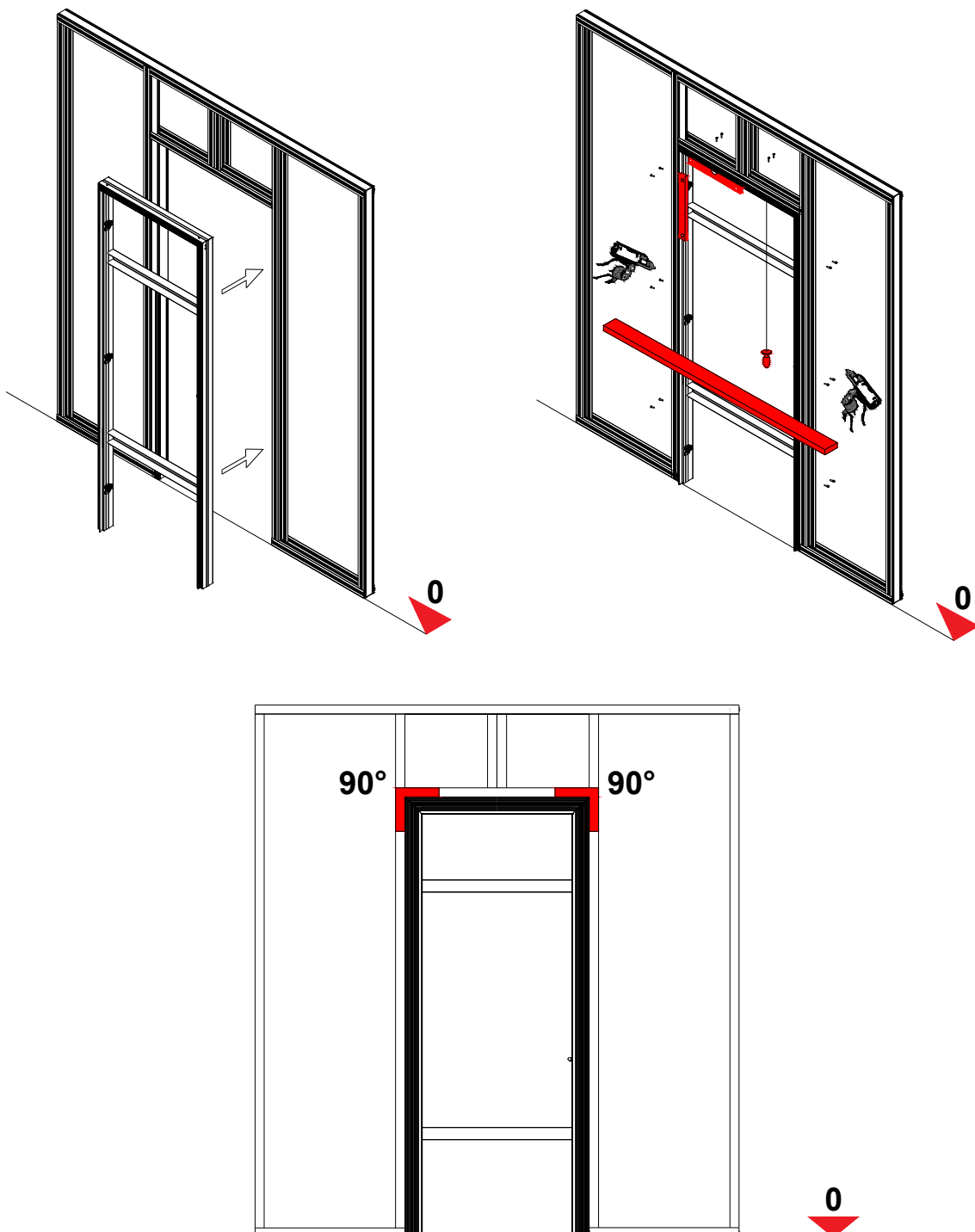


FRAME INSTALLATION AND FIXING

Place the frame inside the drywall structure and secure it temporarily.

Caution! Always position it at the finished floor level (level 0); if the finished floor is not yet in place, use shims to simulate this level.

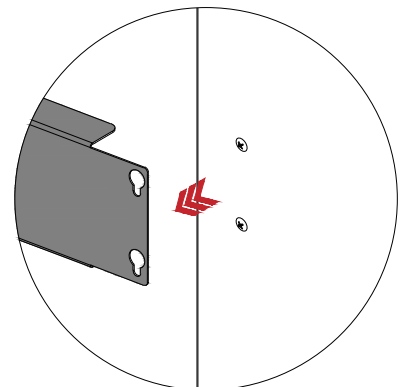
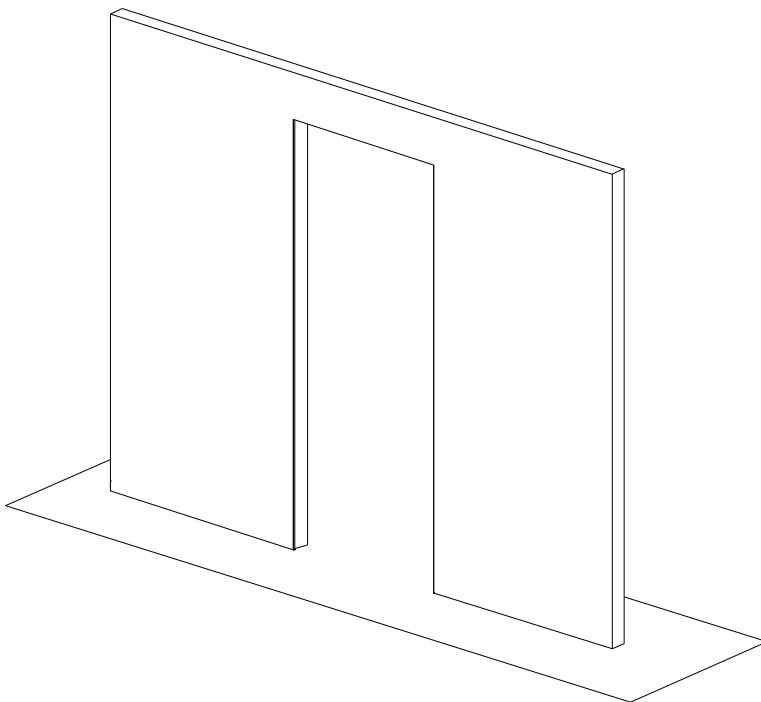
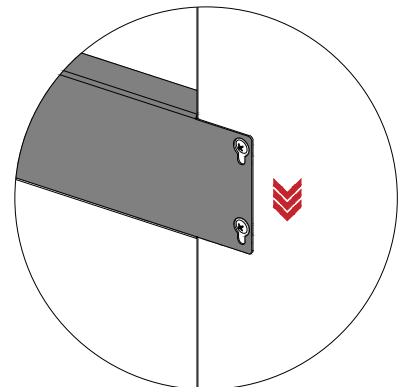
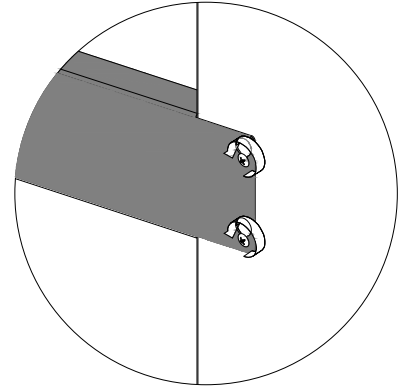
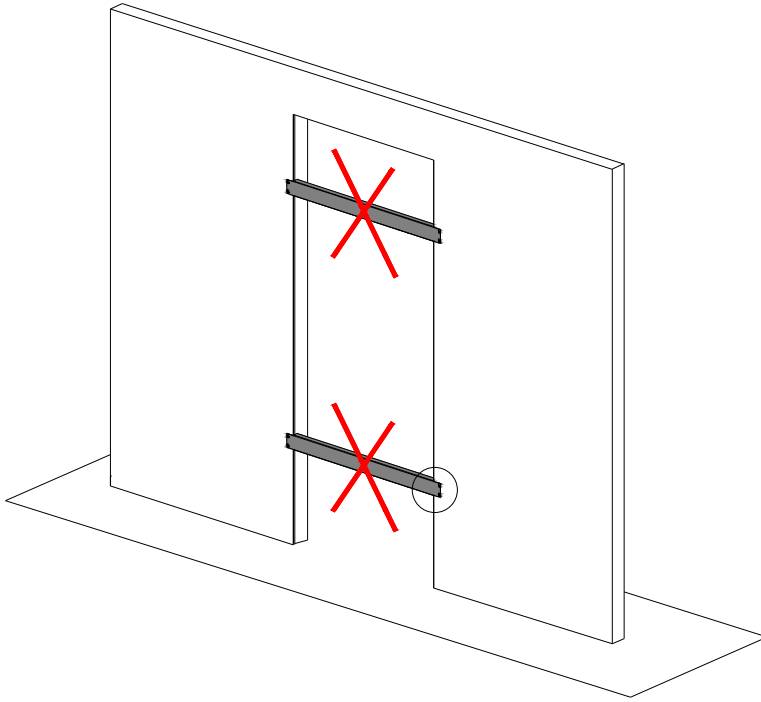
Check the vertical alignment (plumb), flatness, and correct alignment between the frame and the metal drywall structure.



Secure all existing studs and crossbars to the structure using the appropriate screws, choosing one of the solutions proposed on page 2.

REMOVAL OF SPACERS


Once the filler has dried, remove the protective spacers.

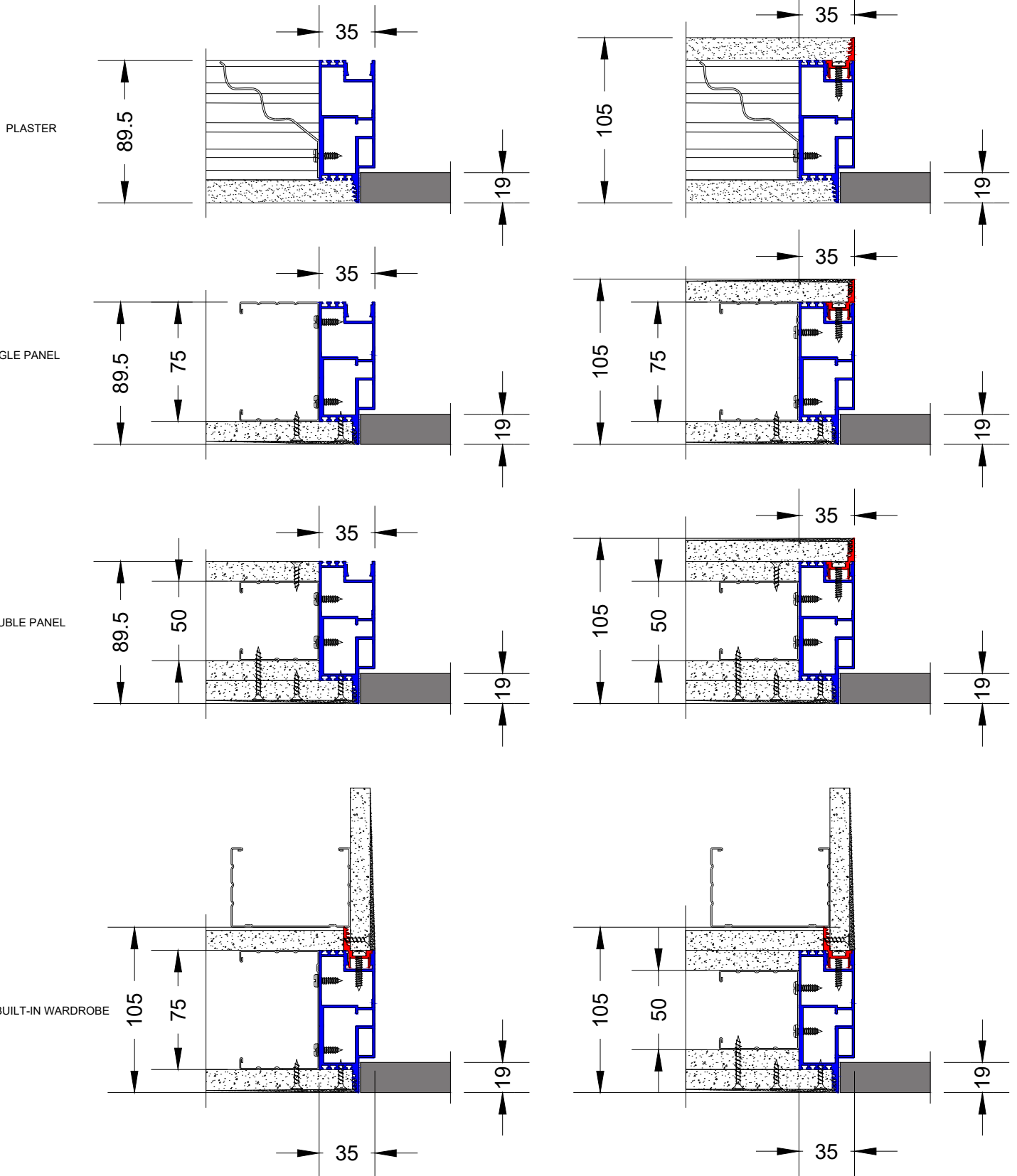


After removing the spacers, it is possible to paint the wall and the door panel.

INSTALLATION OF PLASTERBOARD PANELS AND FILLING

INSTALLATION OF PLASTERBOARD PANELS AND FILLING

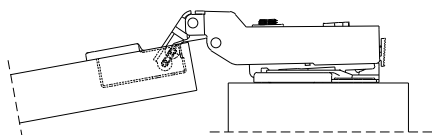
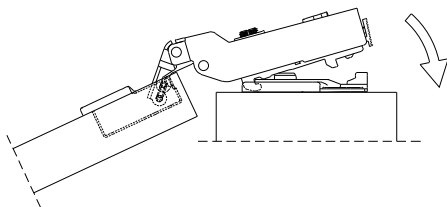
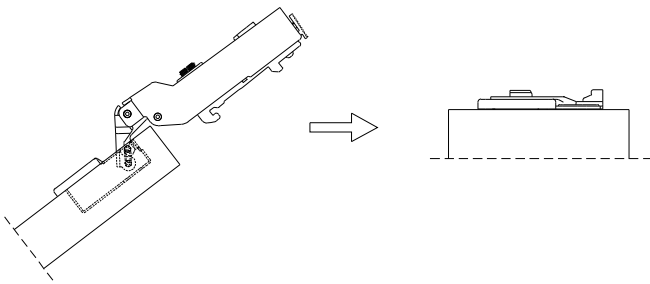
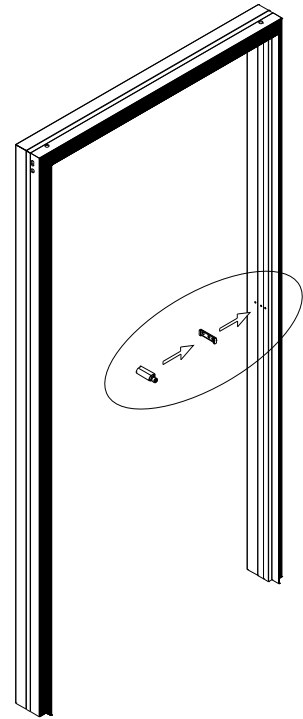
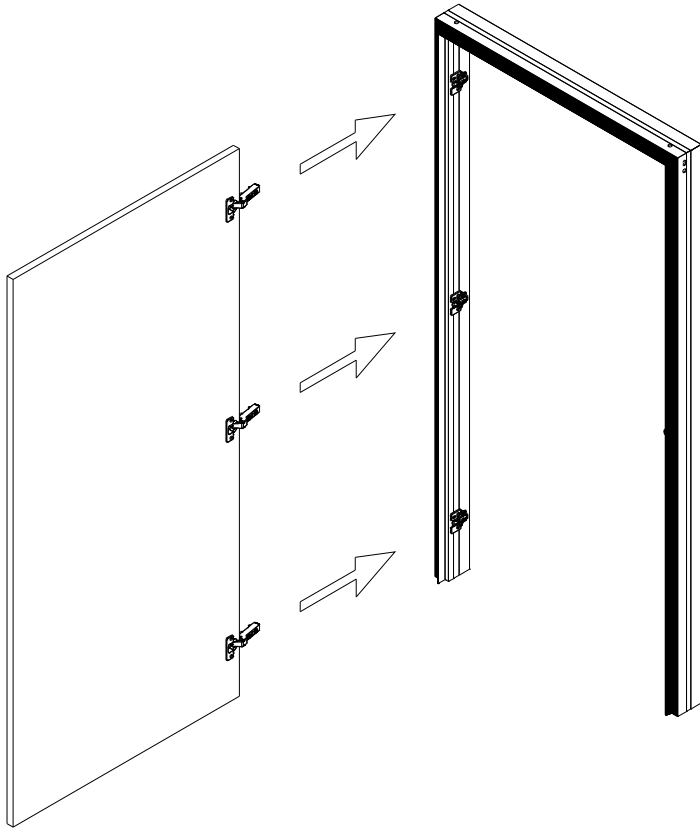
 *OPTIONAL ADDITIONAL PROFILE



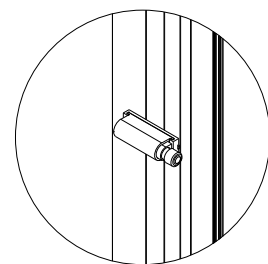
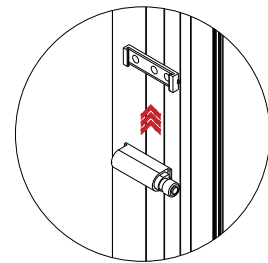
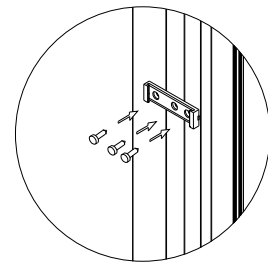
REASSEMBLE THE HINGES ONTO THE FRAME AND INSERT THE PUSH-PULL OPENING MECHANISM

HINGES INSTALLATION

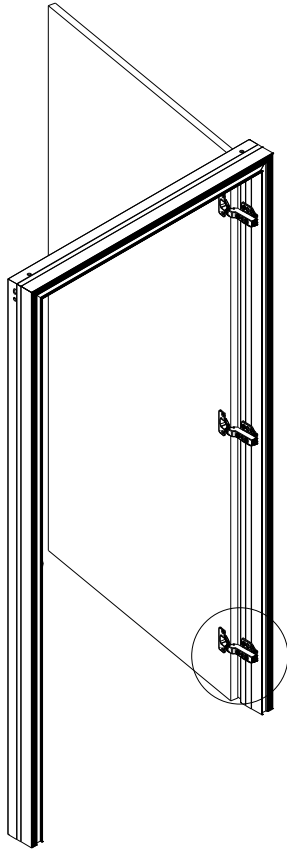
INSTALLATION OF PUSH-PULL MECHANISM



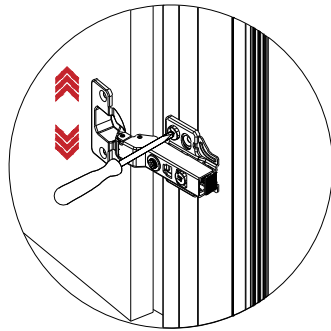
click



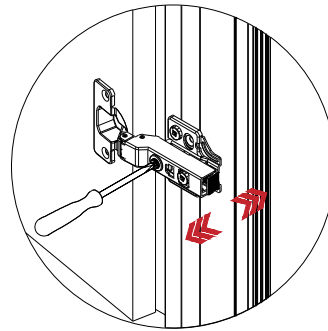
ADJUSTMENT OF THE HINGES ACCORDING TO THE DOOR PANEL



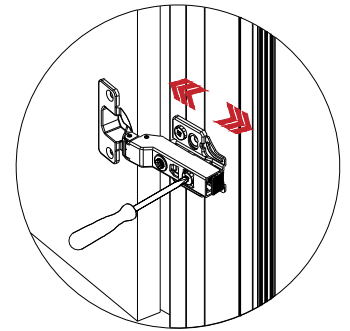
HEIGHT



WIDTH



DEPTH



ADJUSTMENT OF THE PUSH-PULL OPENING MECHANISM ACCORDING TO THE DOOR PANEL

