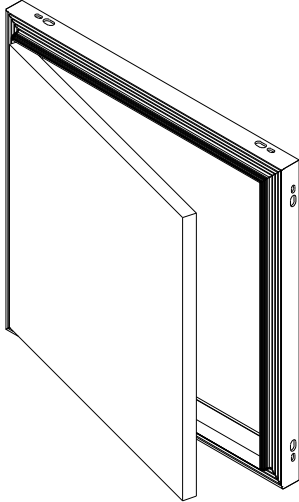
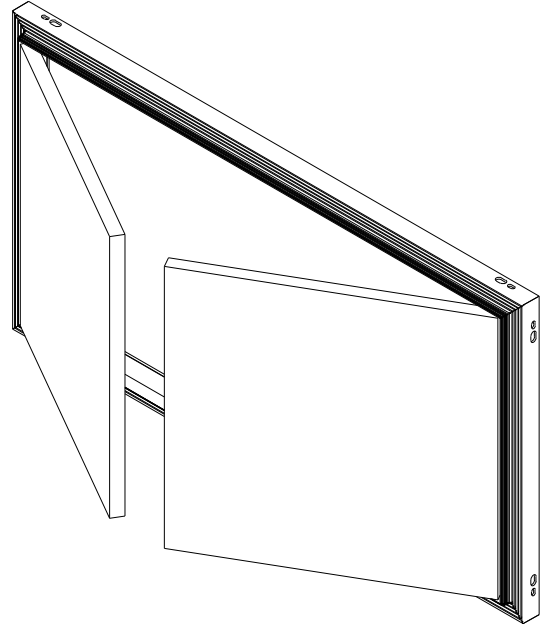


ASSEMBLY INSTRUCTIONS

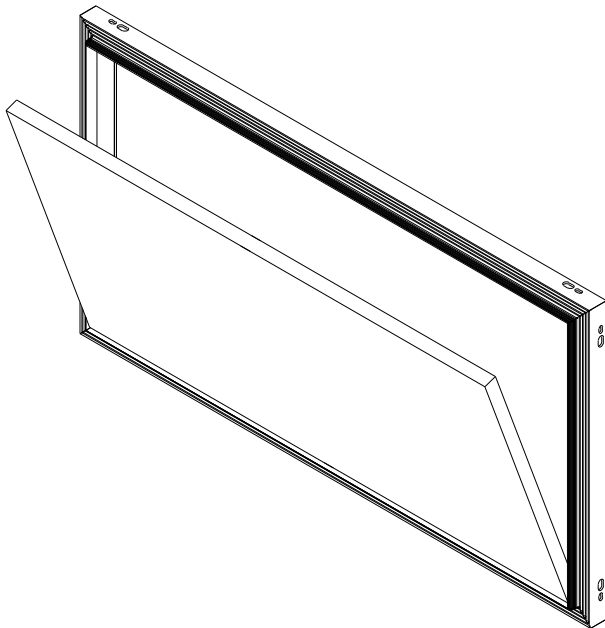
SINGLE PANEL



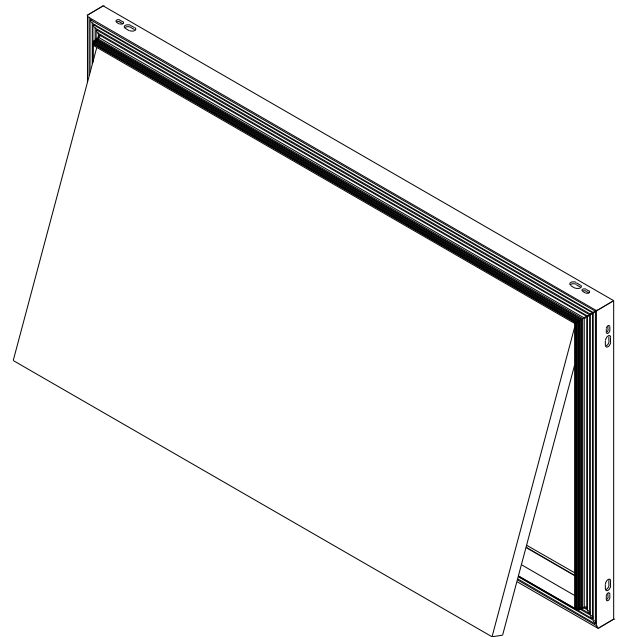
DOUBLE PANEL



FLIP OPENING



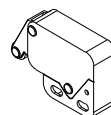
DOWNWARD



UPWARD



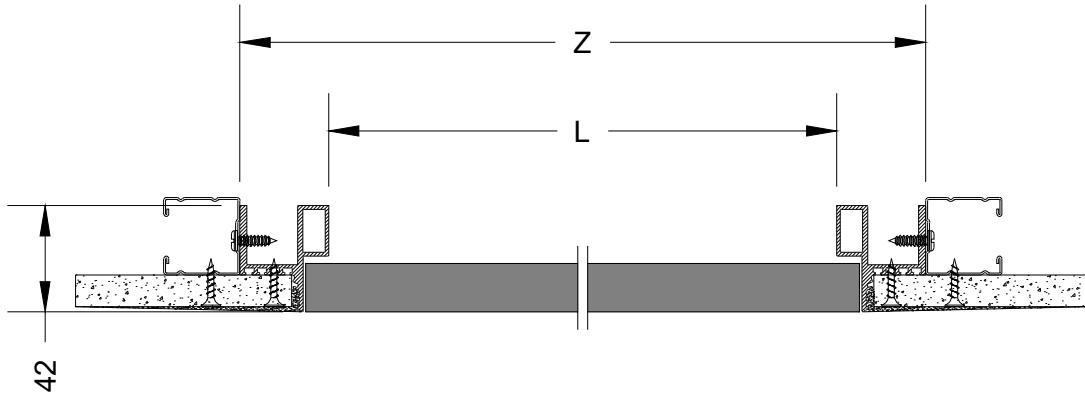
MASONRY ANCHOR
BRACKETS Pz.6



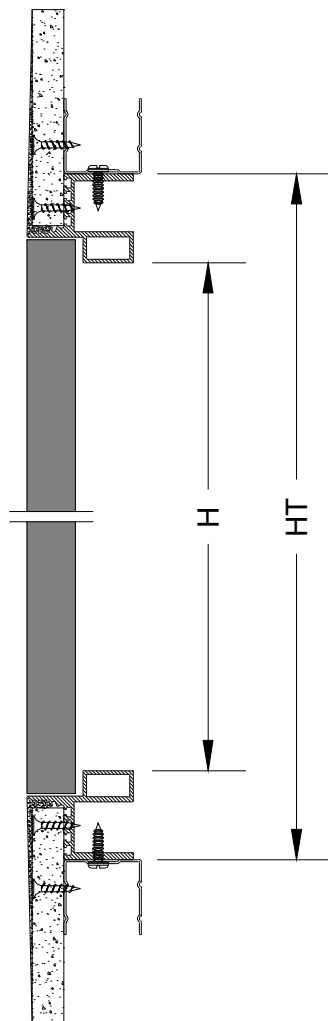
RATCHET CLOSURE

PREPARATION OF THE METALLIC STRUCTURE FOR PLASTERBOARD

HORIZONTAL SECTION



VERTICAL SECTION



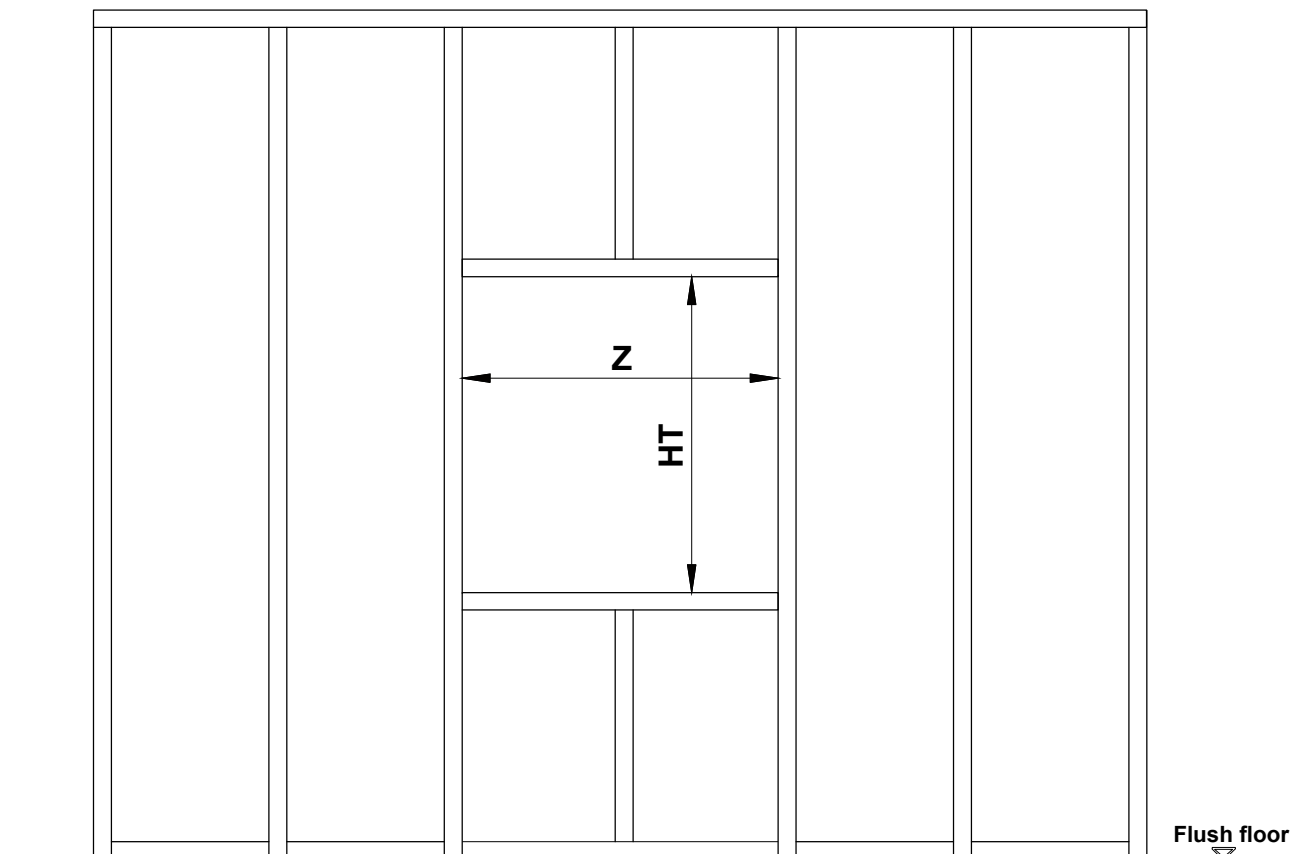
PREPARATION OF THE METALLIC STRUCTURE FOR PLASTERBOARD

4 sides vers.

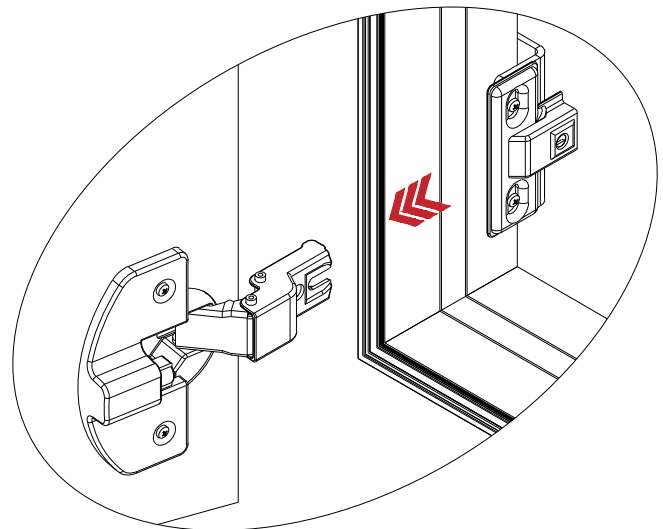
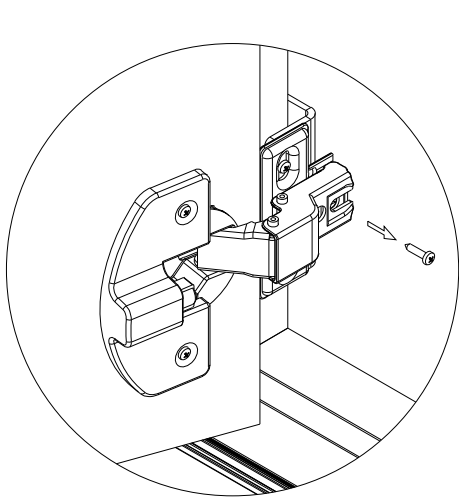
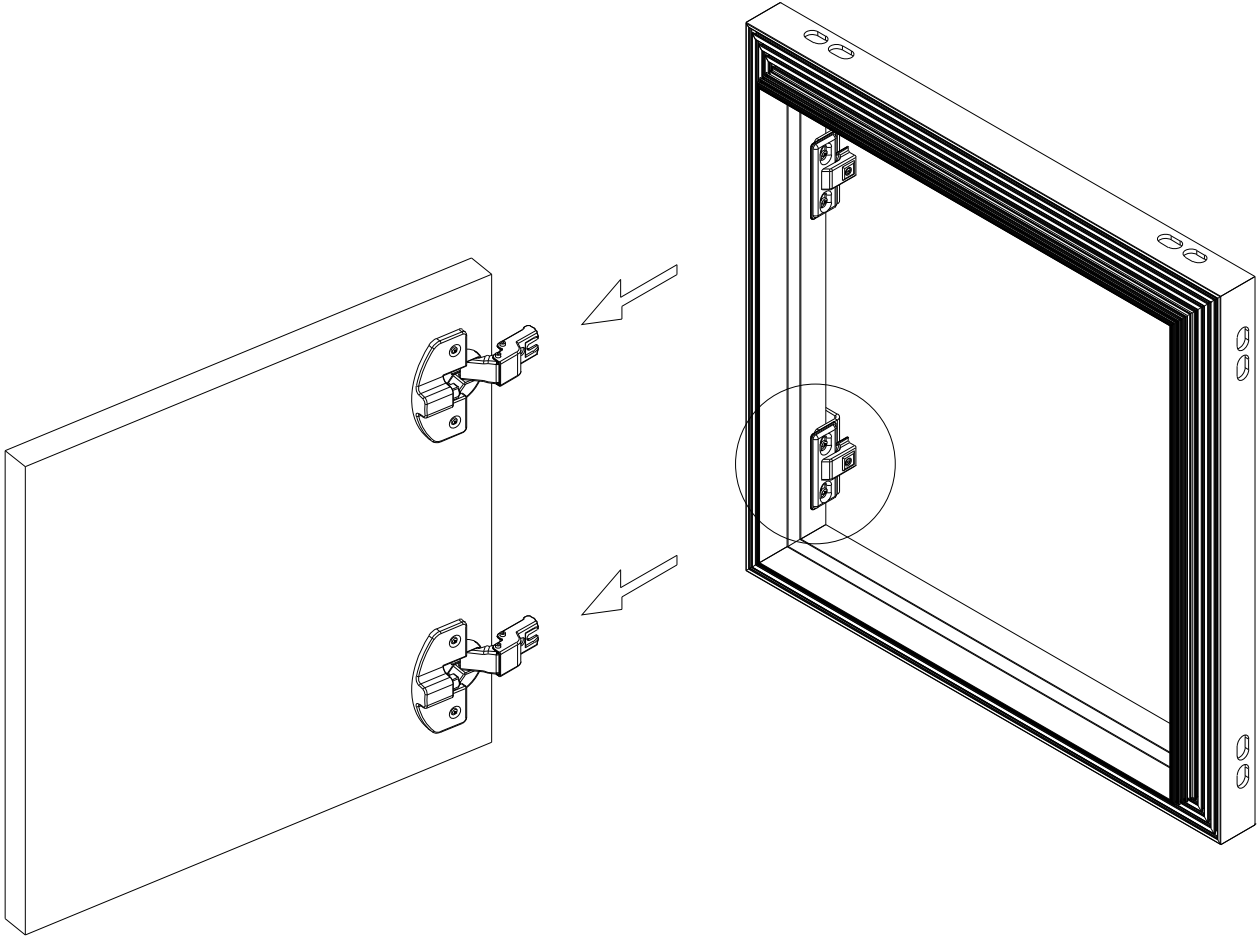
$$Z = L + 70\text{mm}$$

$$HT = H + 70\text{mm}$$

The metal framework for drywall must be prepared to accommodate the frame according to the Z and HT dimensions indicated in the table.



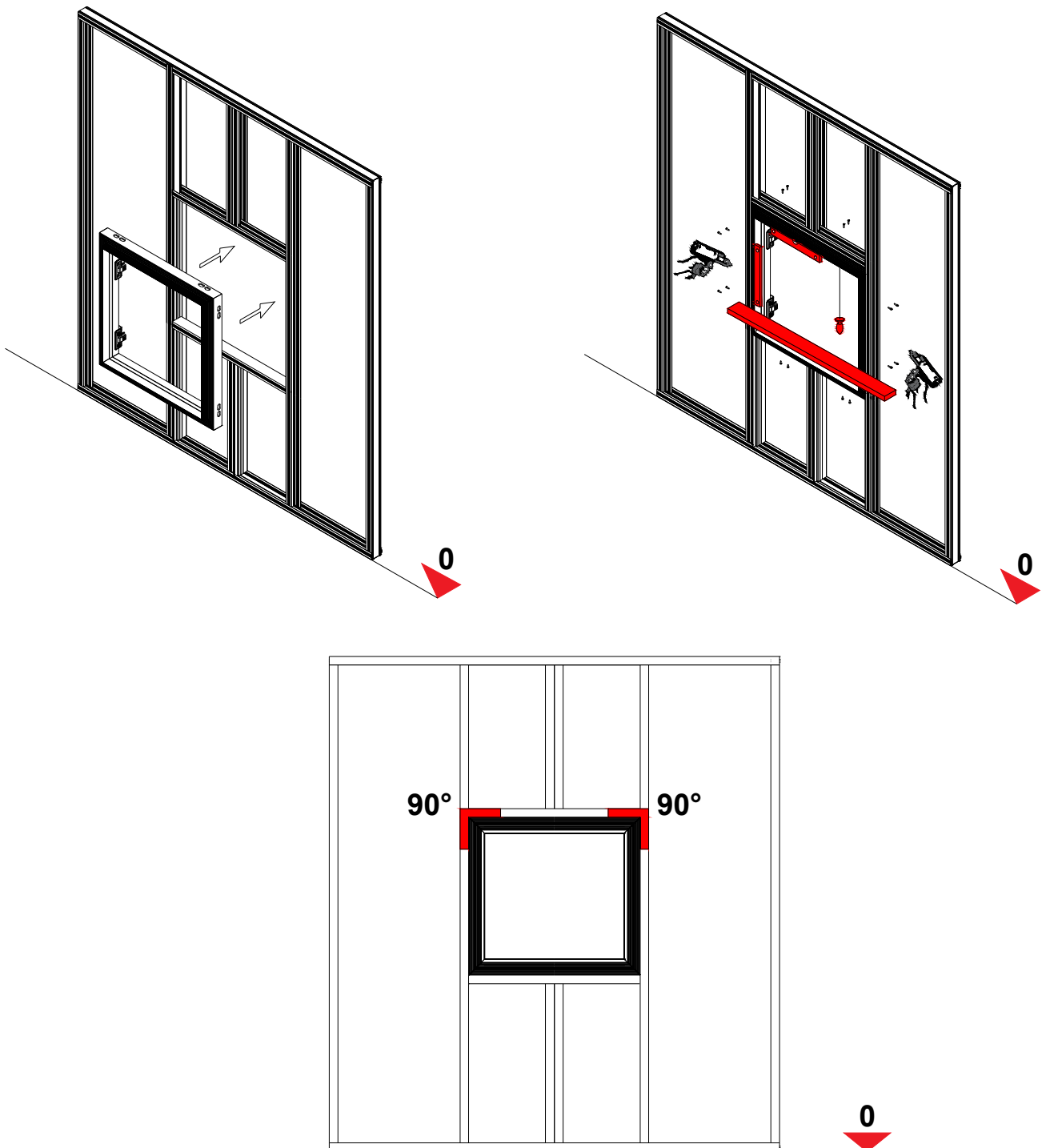
REMOVE THE HINGES FROM THE FRAME, LEAVING THE BASE PLATE FIXED.



FRAME INSTALLATION AND FIXING

Place the frame inside the drywall structure and secure it temporarily.

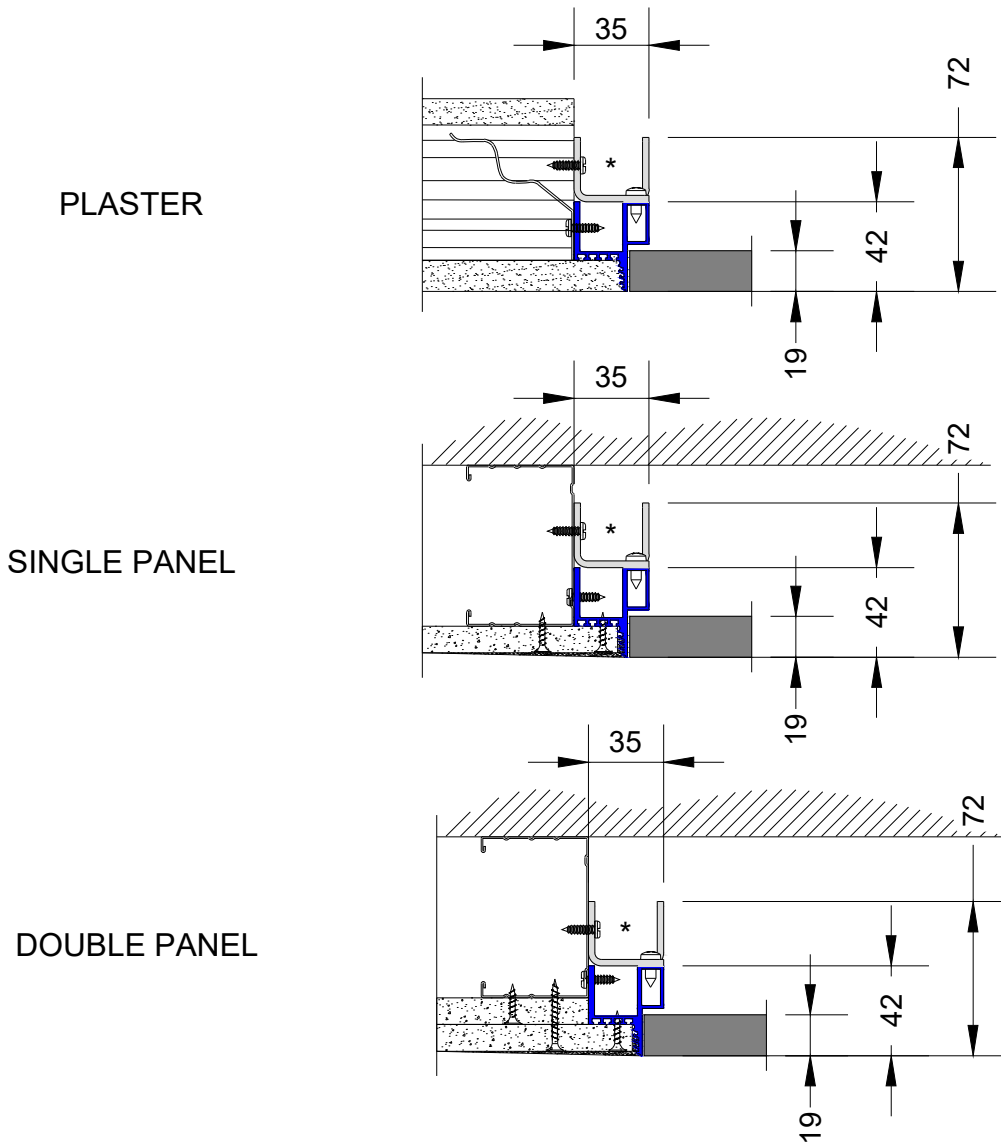
Check the vertical alignment (plumb), flatness, and correct alignment between the frame and the metal drywall structure.



Secure all existing studs and crossbars to the structure using the appropriate screws, choosing one of the solutions proposed on page 2.

INSTALLATION OF PLASTERBOARD PANELS AND FILLING

INSTALLATION OF PLASTERBOARD PANELS AND FILLING

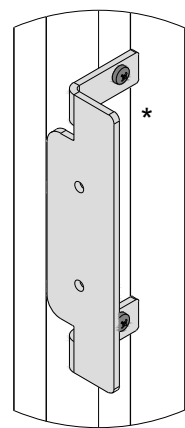
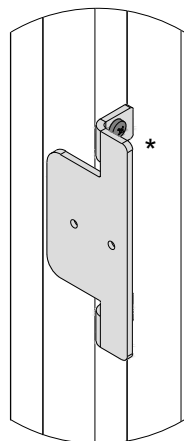
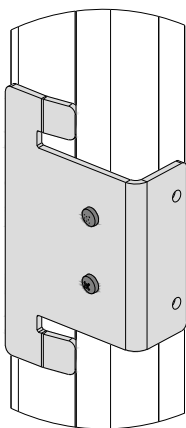


BRACKETS FIXED TO THE FRAME TO INSTALL HINGES, RATCHET, AND ARMS.

HINGE BRACKET

RATCHET BRACKET

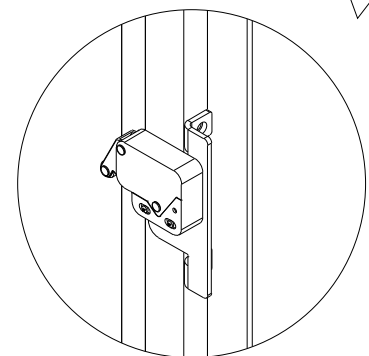
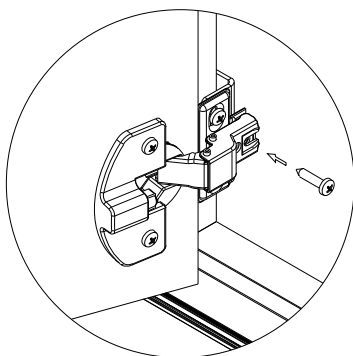
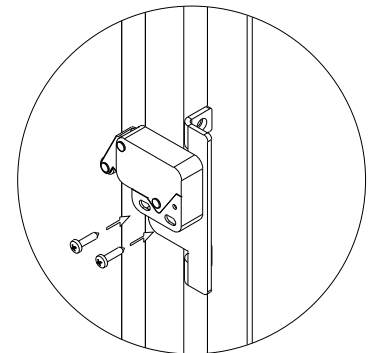
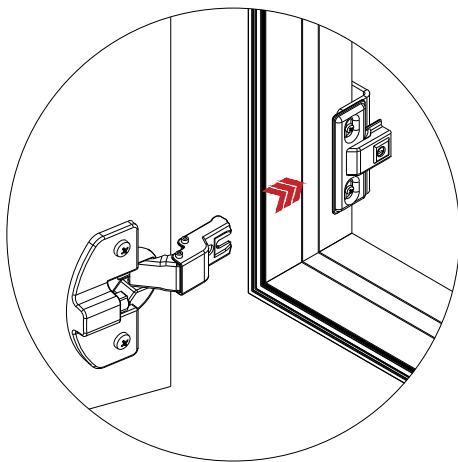
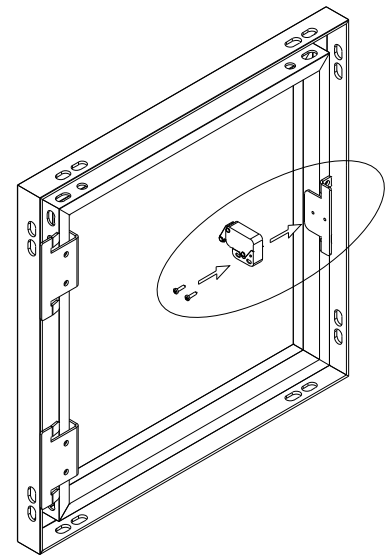
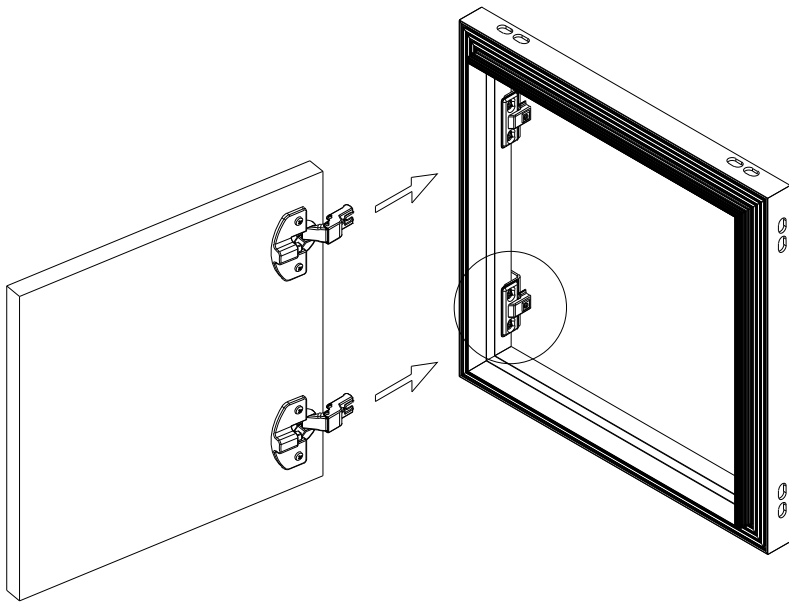
ARMS BRACKET



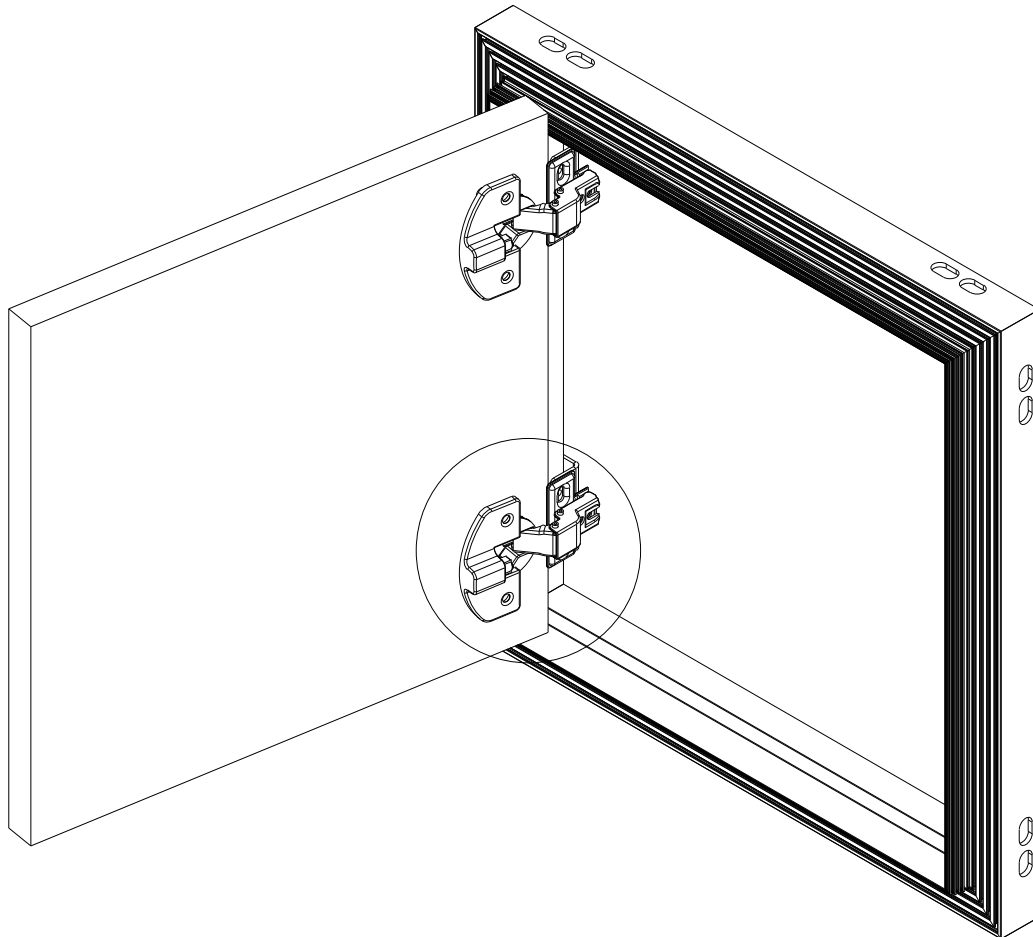
REASSEMBLE THE HINGES ONTO THE FRAME AND INSERT THE RATCHET CLOSURE

HINGE REASSEMBLY

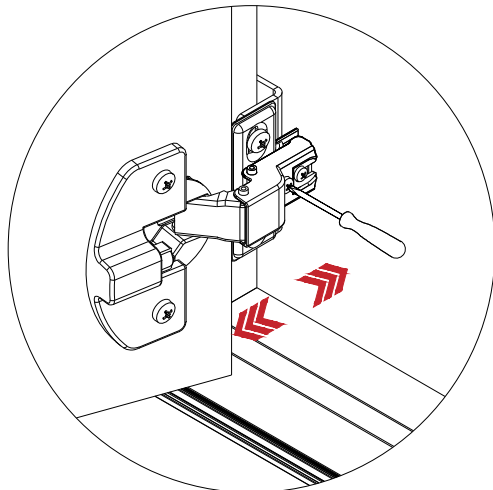
INSERTION OF RATCHET CLOSURE



ADJUSTMENT OF THE HINGES ACCORDING TO THE DOOR PANEL



DEPTH



HEIGHT

