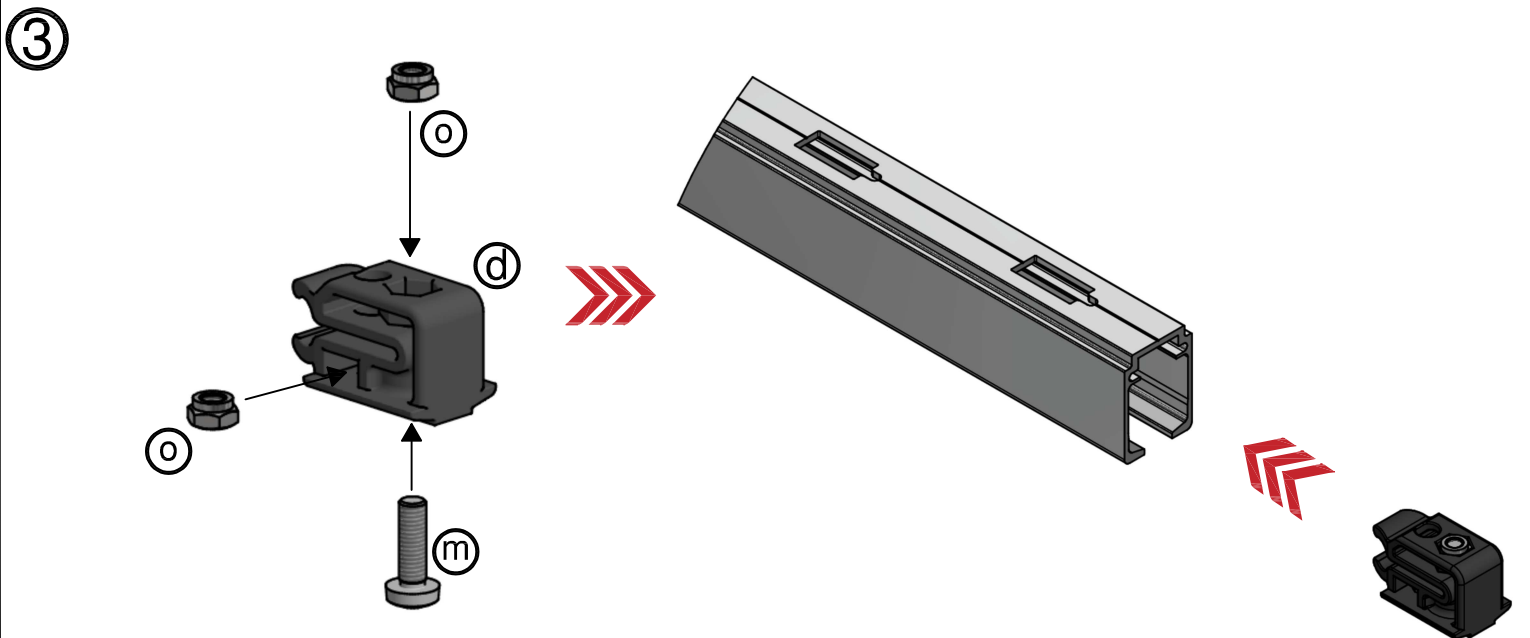
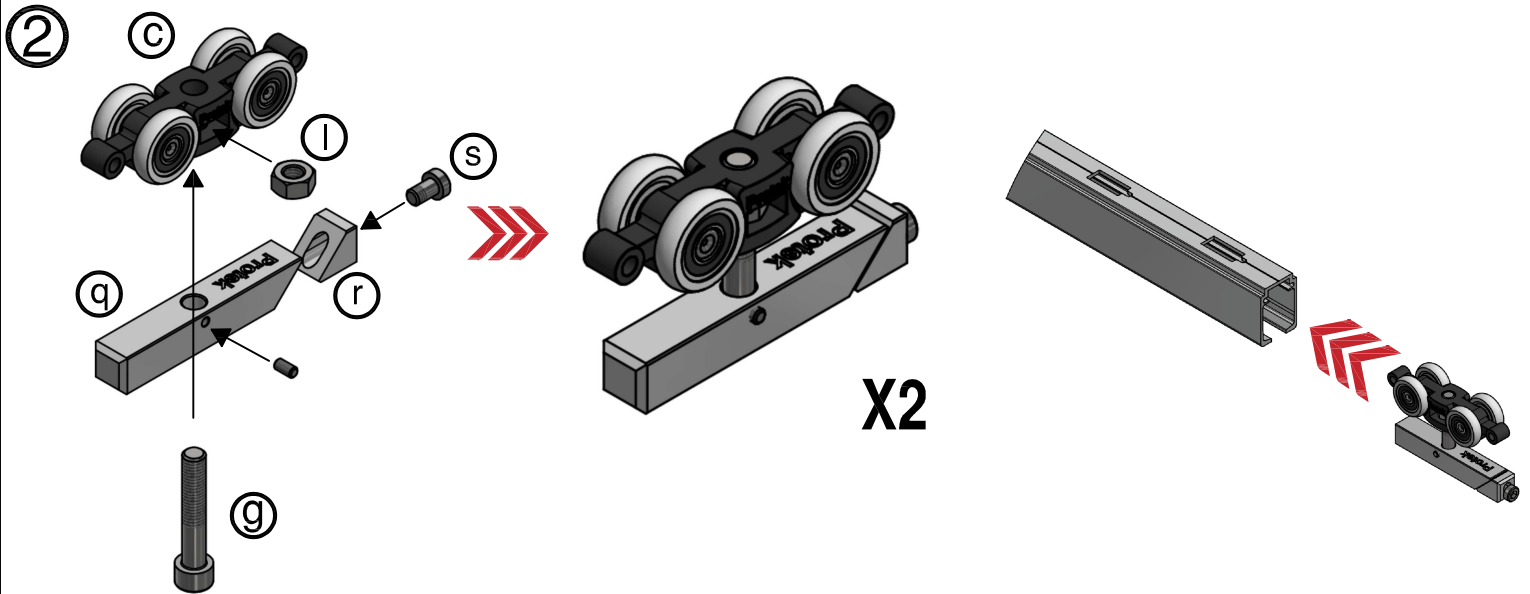
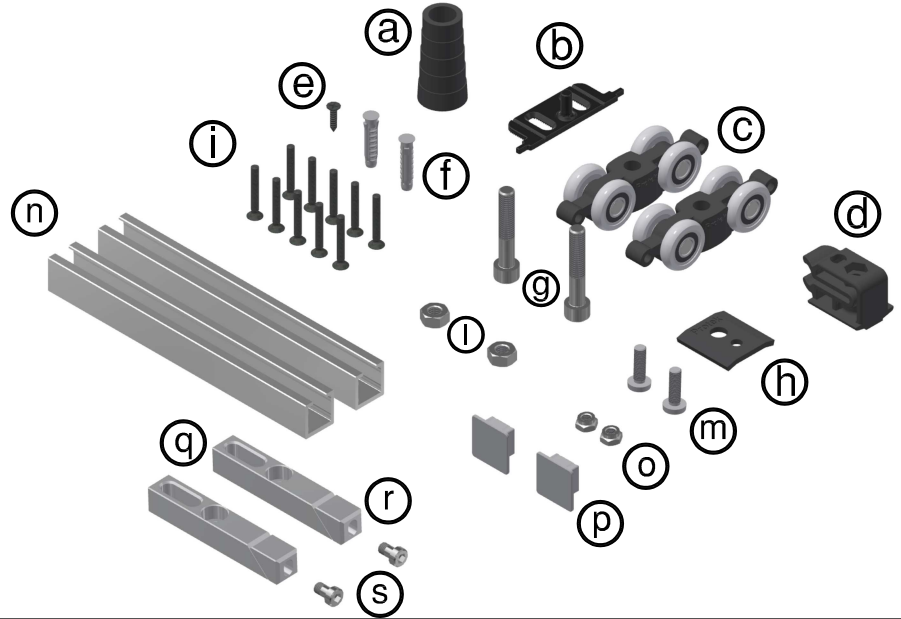
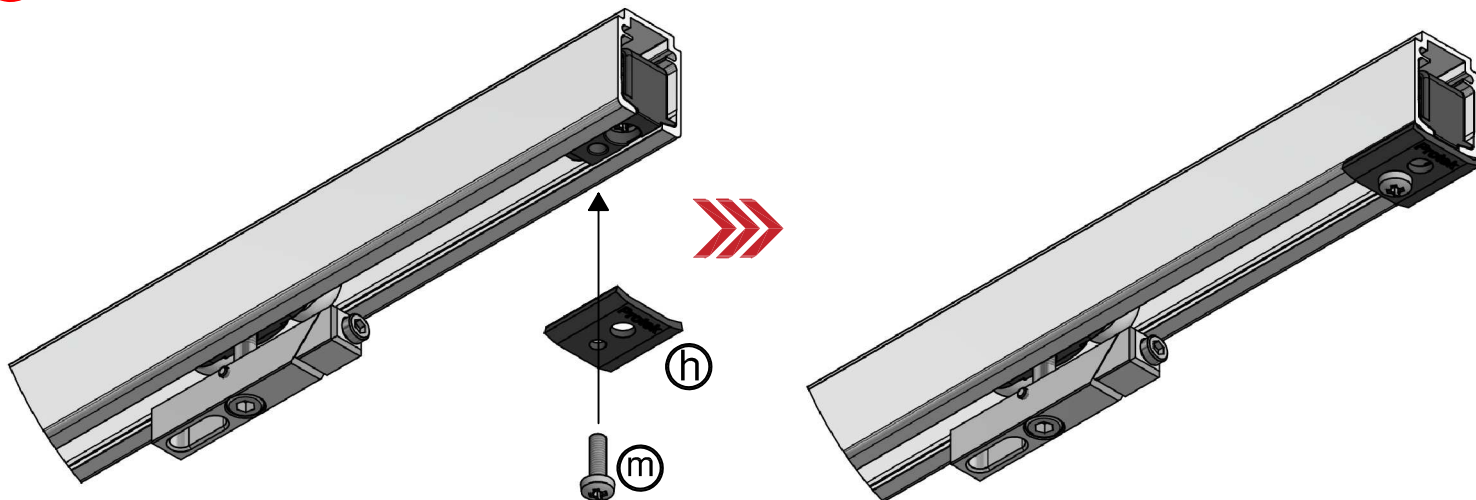


**COD.ART.:KTCALIN000150KGNW**

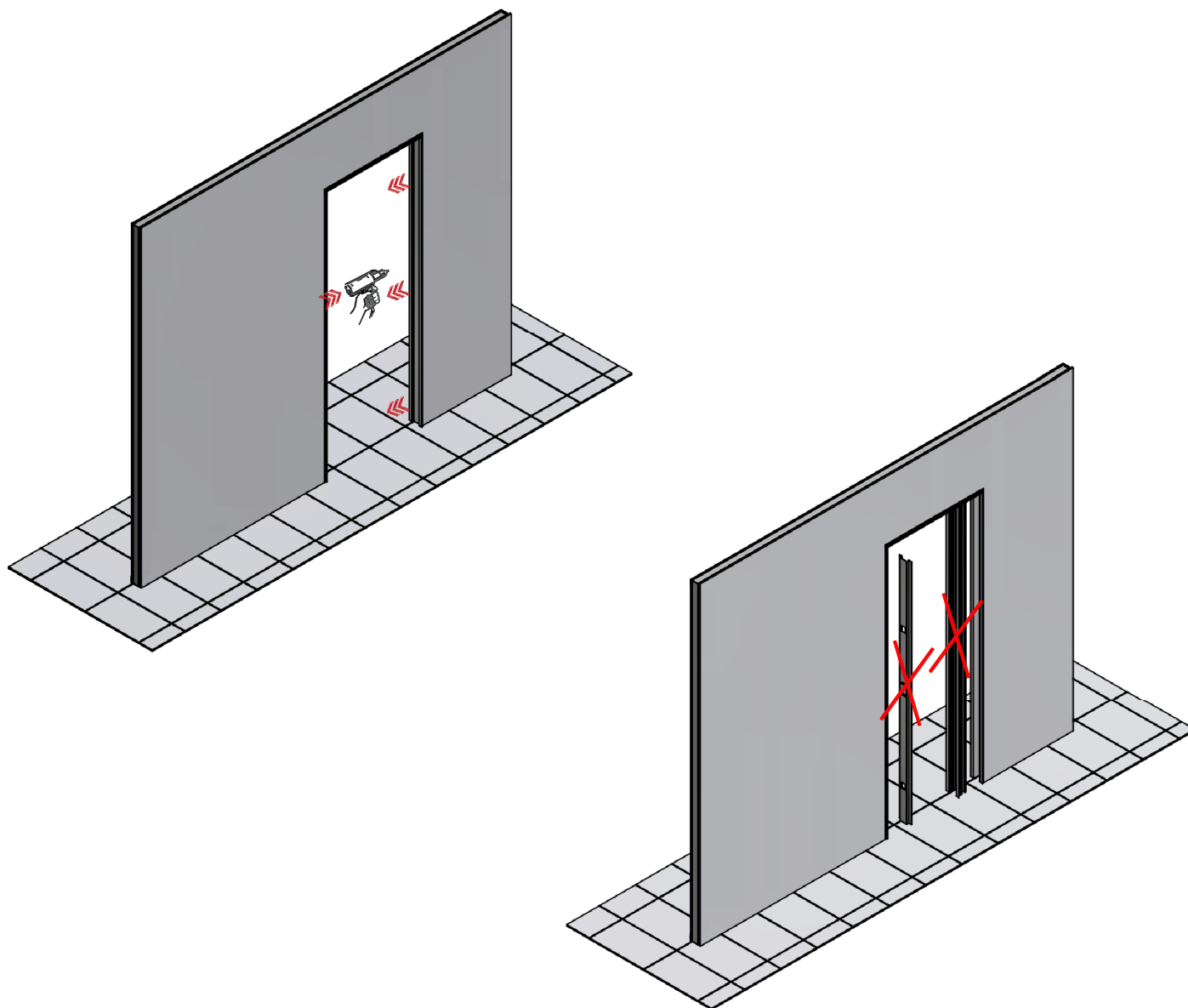
- |   |          |              |
|---|----------|--------------|
| ① | (a) Pz.1 | (i) Pz.10    |
|   | (b) Pz.1 | (l) Pz.2     |
|   | (c) Pz.2 | (m) Pz.2     |
|   | (d) Pz.1 | (n) Pz.2     |
|   | (e) Pz.1 | (o) Pz.2     |
|   | (f) Pz.2 | (p) Pz.2     |
|   | (g) Pz.2 | (q) (r) Pz.2 |
|   | (h) Pz.1 | (s) Pz.2     |



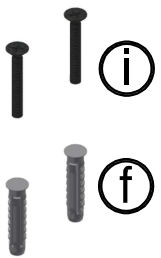
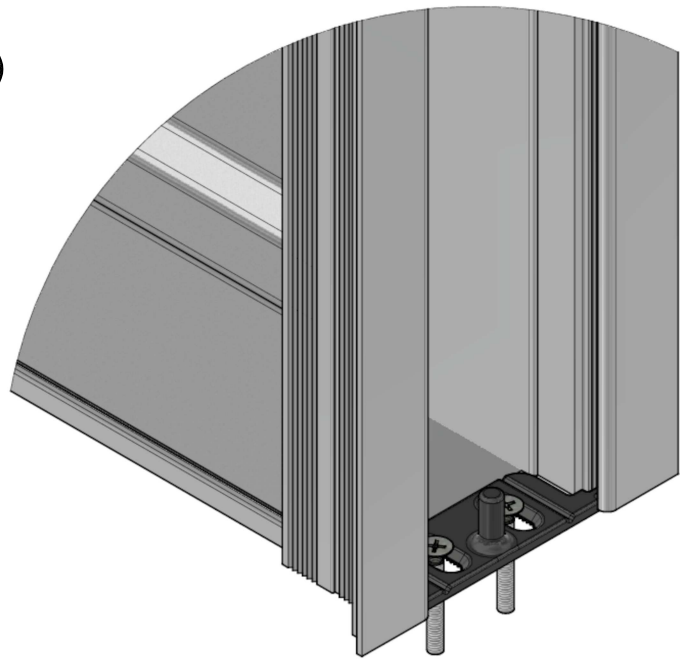
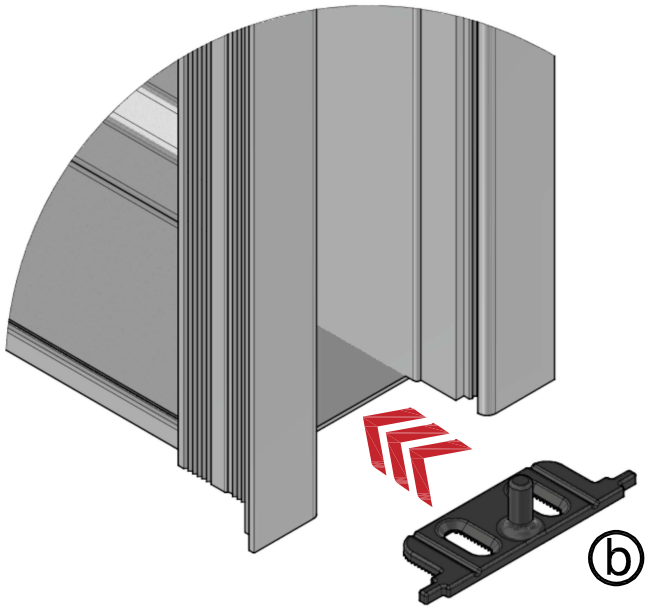
4



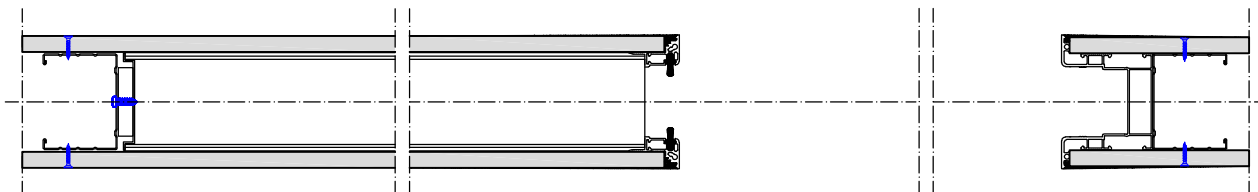
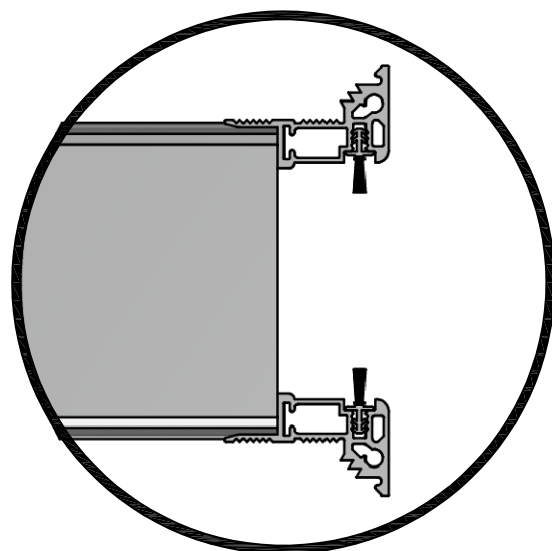
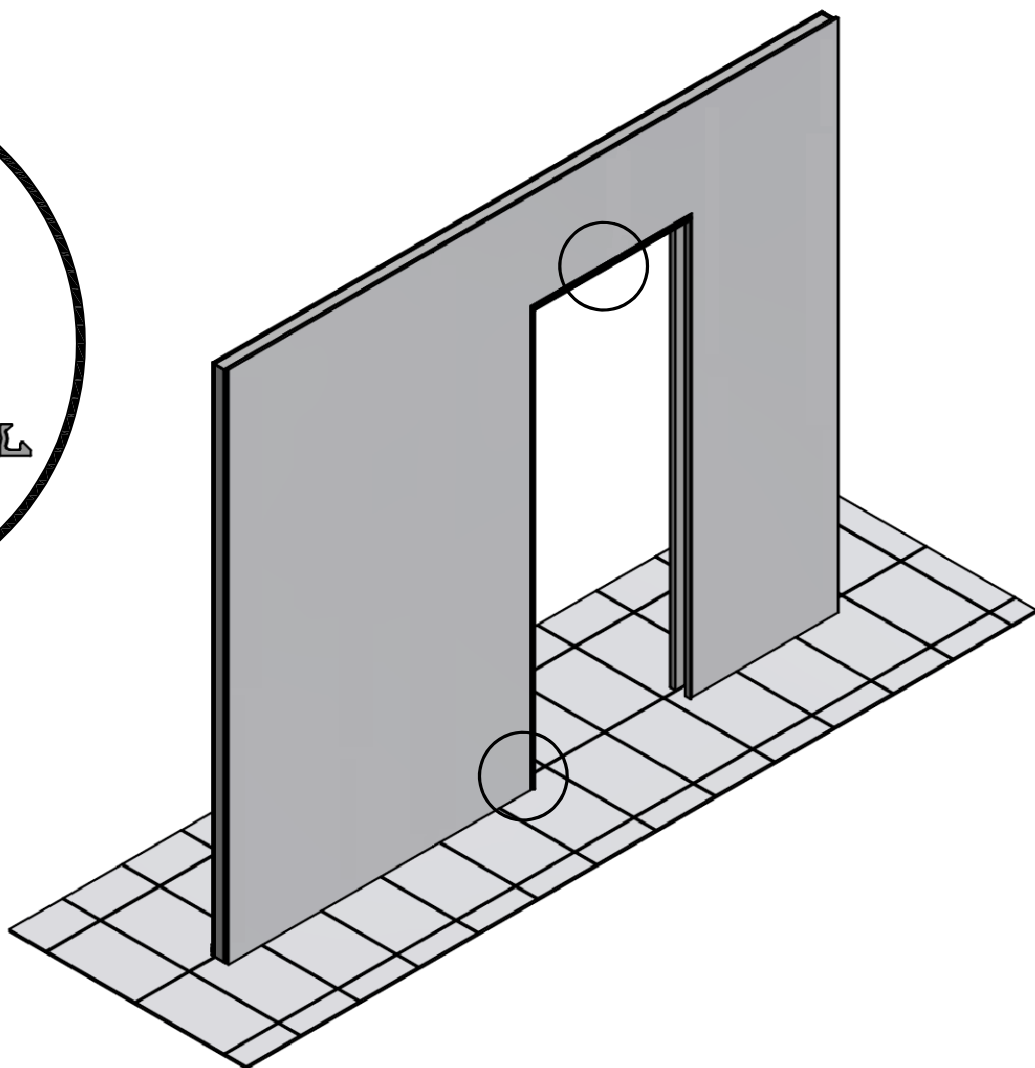
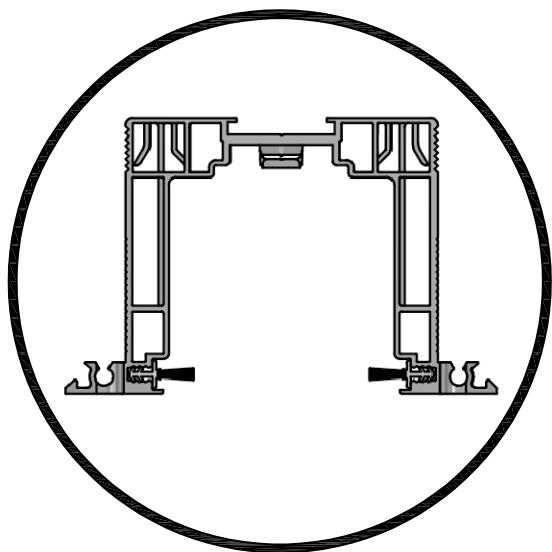
5



⑥

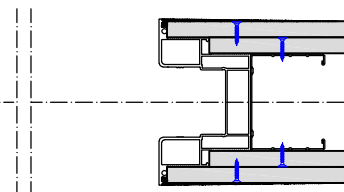
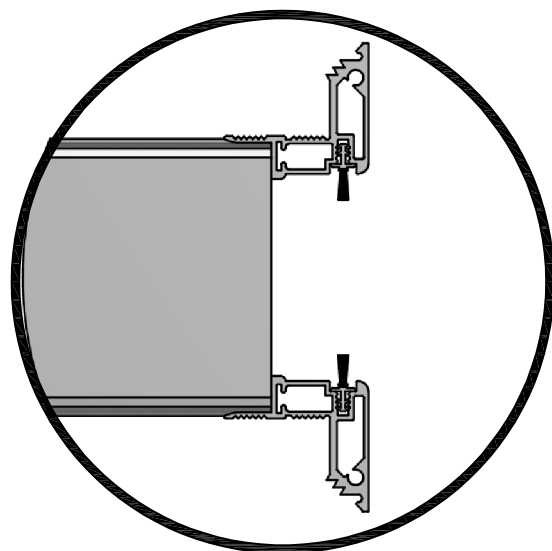
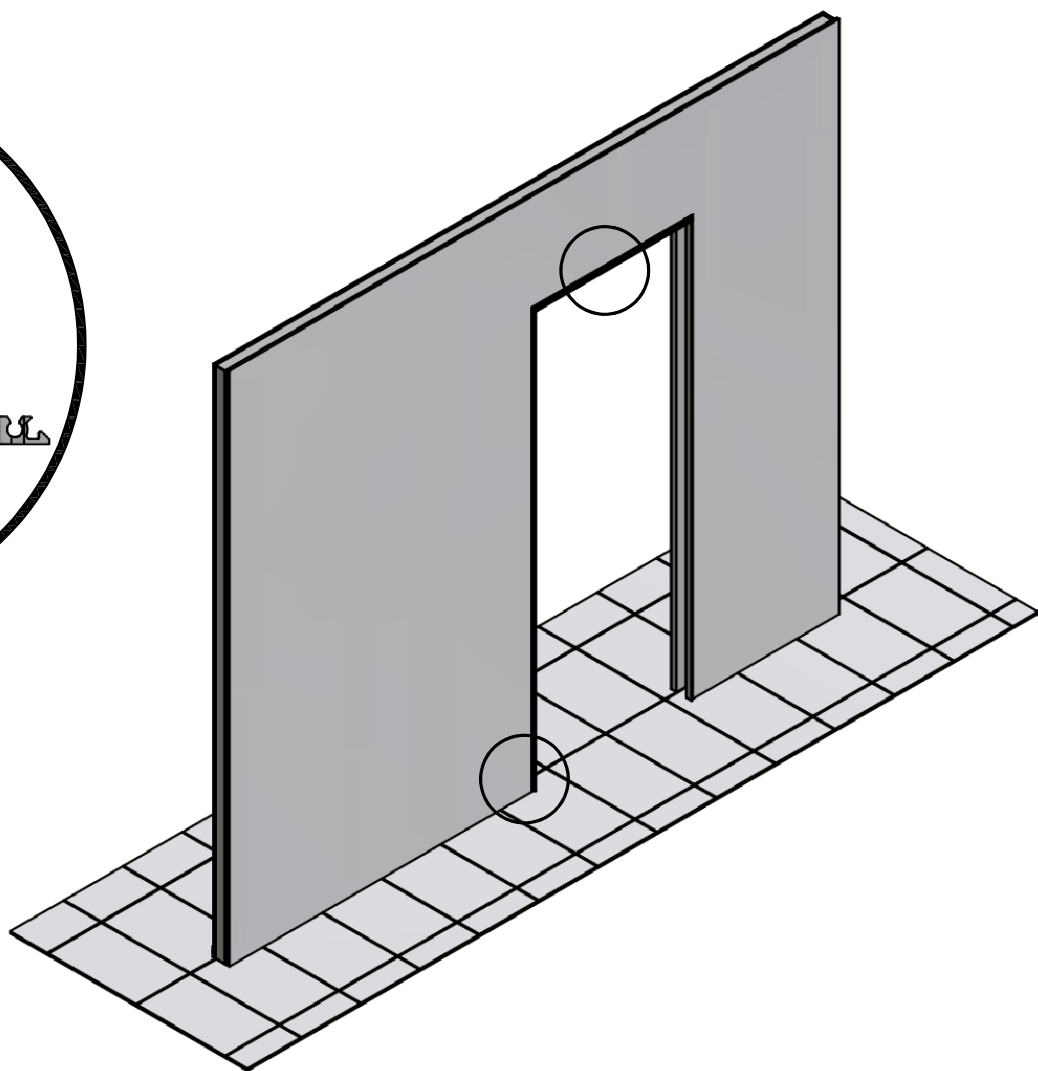
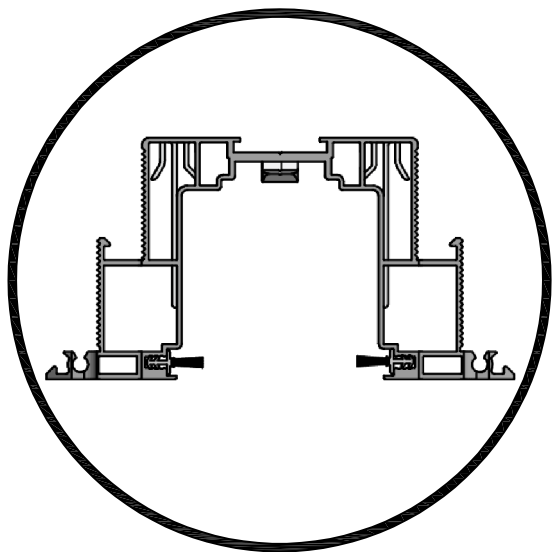


**7 SINGOLA LASTRA - SINGLE PLASTERBOARD SHEET**

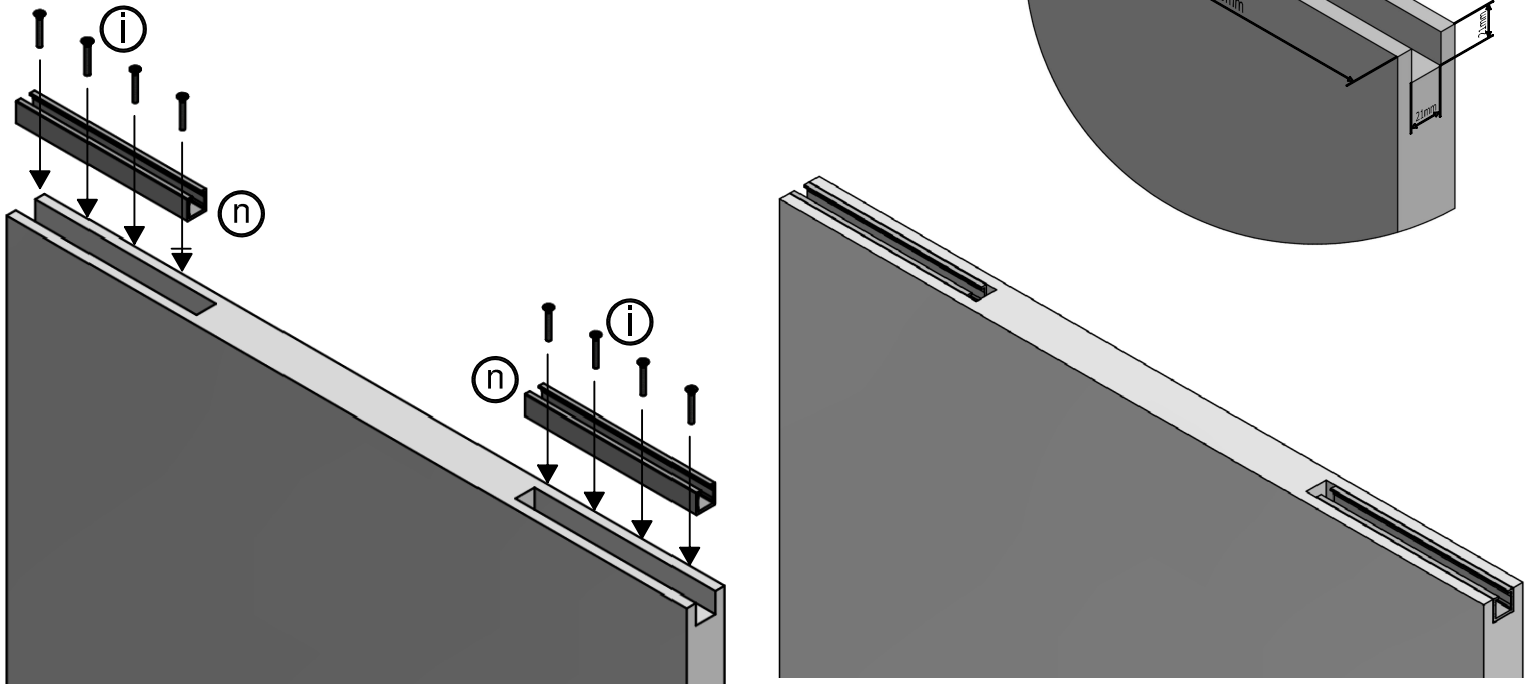


7

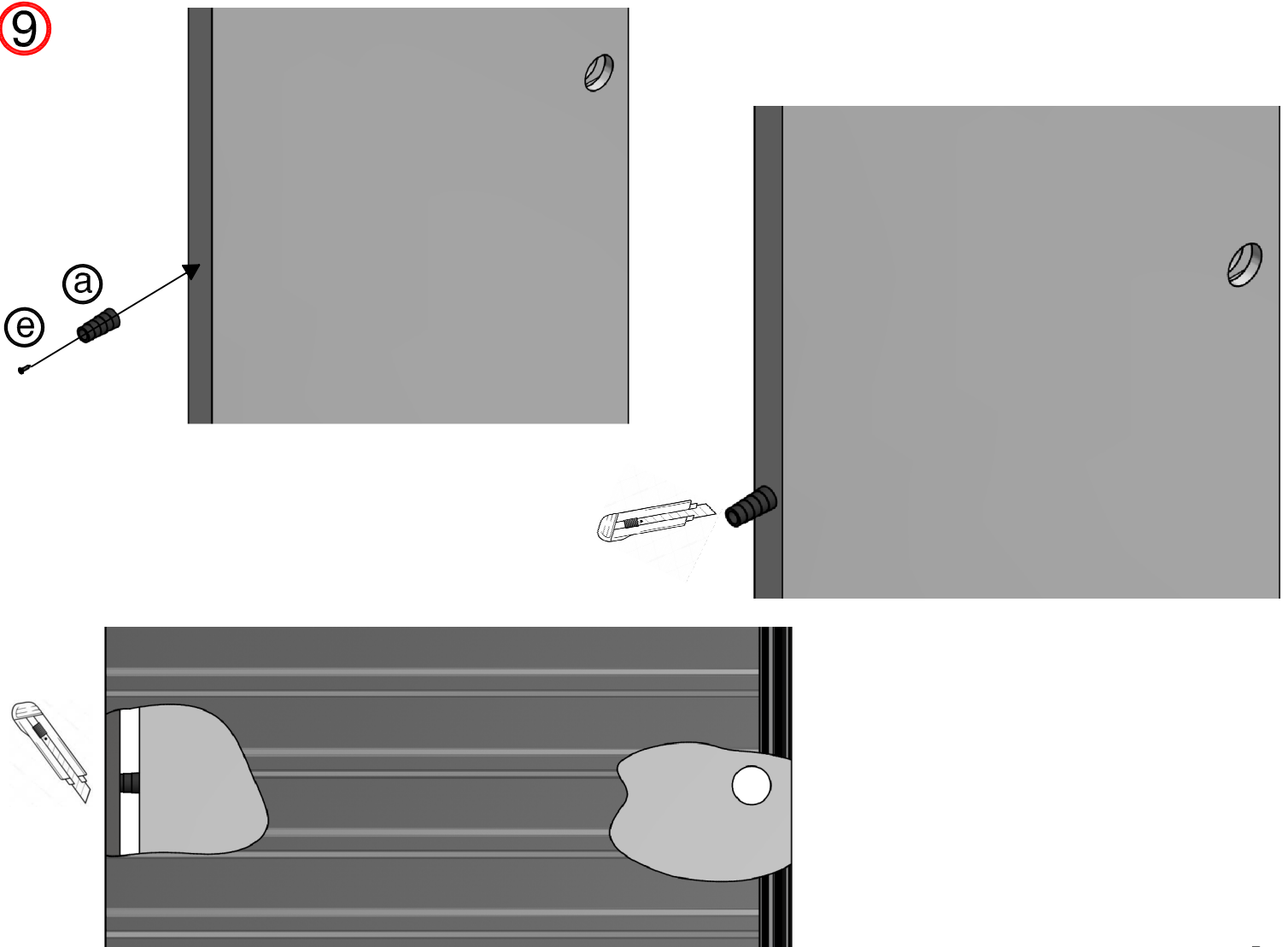
## DOPPIA LASTRA - DOUBLE PLASTERBOARD SHEET



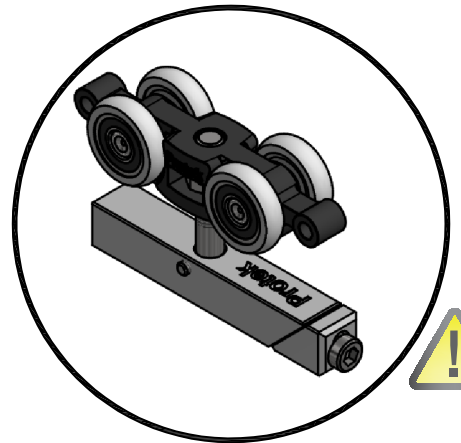
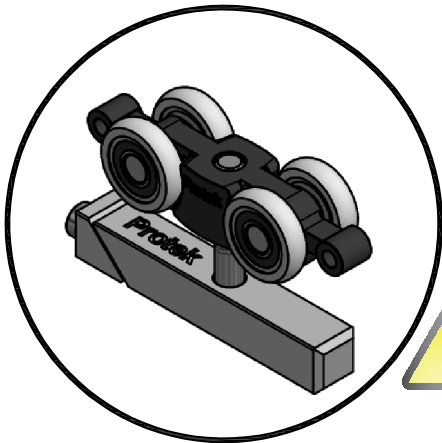
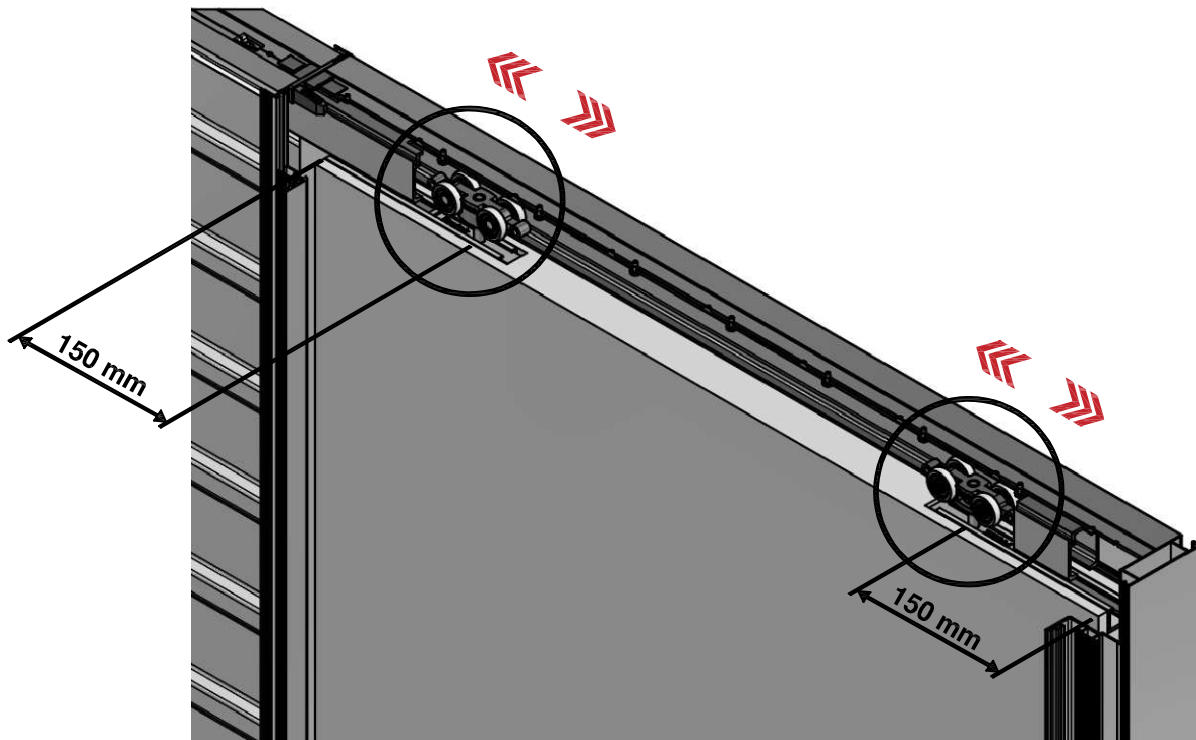
8



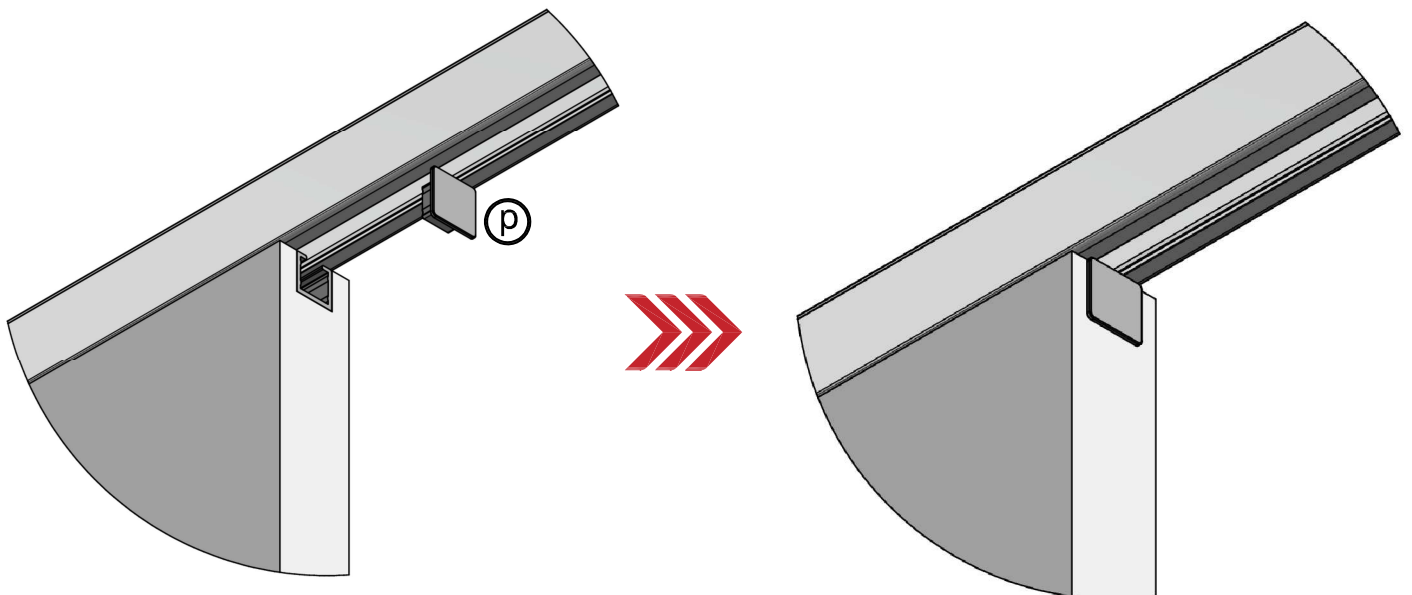
9



10



11





12

